



ALX Series Electric Actuator

ALX Series

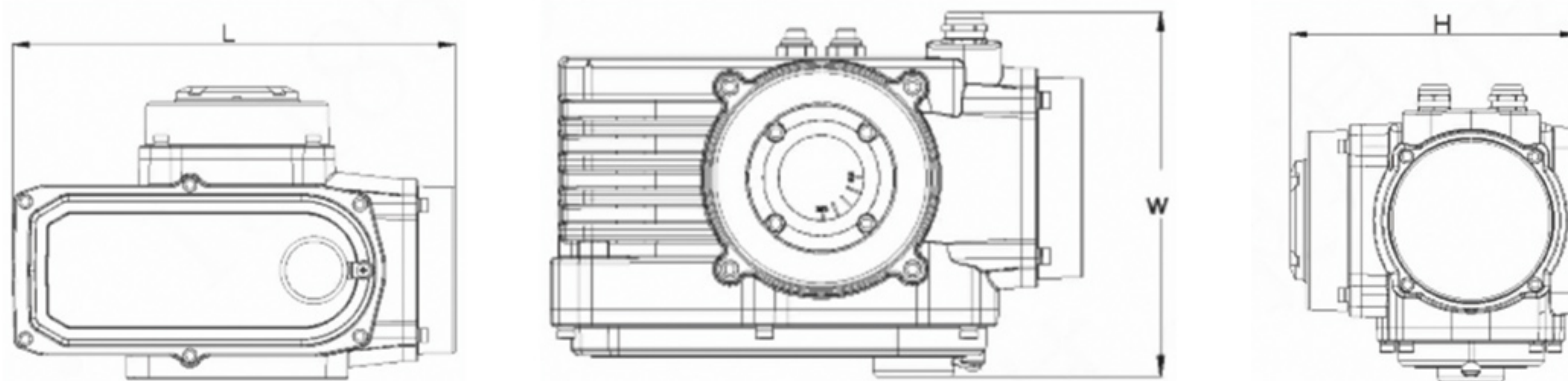
The ALX series electric actuators are used to control 0-90° rotation valves and other similar products, such as butterfly valve, ball valve, throttle valve, plug valve, louver valve, etc. It uses AC24V, 110v,220v, 380 v and DC 24 V voltage to be the driving source , 4-20mA current signal or 0-10 VDC voltage signal to be the controlling signal, driving the valve to the required position, so that realize the automation control. They can be widely apply to petroleum, chemical industry, electric power, metallurgy, pharmaceutical, papermaking, energy, water treatment, ship, textile, food processing, building automation and other fields. Meanwhile , which with small volume, light weight, elegant appearance, unique and compact structure, rapid in opening and closing ,easy installation, small operation torque, easy operating, digital display for valve location, no need in maintenance and safe using and convenient, and many other advantages.

Product Characteristics:

1. Small volume, light weight, easy installation and maintenance.
2. Simple and compact structure , 90° rotation , rapid in opening and closing.
3. Small torque in operating , light and handy.
4. Flow characteristics tends to straight line and of good regulation performance.
5. Multiple control signals, switch control.
6. Proportional (modulation) control: 0-10vdc or 4-20mA.
7. Feedback output can be selected 4-20ma, auxiliary switch and feedback potentiometer (0-1k).
8. Optional control circuit: Type A /Type B /TypeC /TypeD /TypeE /TypeF.
9. The ambient temperature is from -2°C to +60°C.
10. The protection class is IP65

The Optional Function:

1. Long time diving working, the protection class can reach to IP68.
2. When the actuator is in charge state, with power down reset function.
3. Including: open resitting, closing resetting and no resetting, factory setting.
4. Fast opening or slow opening is optional.



The Outline Dimension and Performance Parameter of Actuator

Table 1: Outline dimension of the actuator

Model No.	Parameter	L(mm)	W(mm)	H(mm)
ALX 105		146	144	127
ALX 110		190	167	155
ALX 116				
ALX 120		235	185	175
ALX 140				
ALX 160				
ALX 1100		283	185	175
ALX 1200				

Table 2: Performance parameters of the executor

Model No.	Standard time/torque	Selectable time/torque	Swing angle range	Total weight	Power supply form	Optional control circuit
ALX105	25S/50Nm	4S/20Nm 10S/30Nm	0-90° Adjustable	2.2kg	DC24V AC24V AC110V AC22V AC380V	A type B type C type D type E type F type
ALX110	25S/100Nm	15S/50Nm		5.1kg		
ALX116	25S/160Nm	15S/80Nm		5.1kg		
ALX120	25S/120Nm	15S/100Nm		7.5kg		
ALX140	25S/400Nm	15S/200Nm		7.5kg		
ALX160	25S/600Nm	15S/300Nm		8.1kg		
ALX1100	50S/1000Nm	25S/500Nm		12.7kg		
ALX1200	50S/2000Nm	25S/1000Nm		12.7kg		
Insulation resistance	100M Ω / 500VDC					
Withstand voltage rating	1500VAC 1Minute					
Protection class	IP65 (Optional IP67/68)					
Installation orientation	360° install at any angle					
Electrical interface	2-G1\2 metal joint,the user should install the corresponding metal cable connector according to the cable selected					
Ambient temperature	-20°C ~ + 60°C					
Optional functions	Overtorque Protection, Dehumidifying Heater, Passive Contact Switch, Operate Handwheel					

All statements, technical information, and recommendations in this brochure are only for general use. For your specific requirements and material selection, please consult with representatives or sales of AEN.TECH. The right to change or modify the product design or product itself without prior notice is reserved.

Welcome global partners!

AEN.TECH CONTACT

No. 309, Anqian Road, High-tech Zone, Anshan, Liaoning, China

E-mail: liuchangsong9688@gmail.com, ceo@asaicn.com

TEL No: +86 04122616600

www.aen-valve.com

2020 AEN.TECH International. All rights reserved.