

**API QF150**  
Ball Valve: 1/4" - 4"



## API Flange Floating Ball Valve

### API Flange Floating Ball Valve (150LB - 600LB)

#### Features:

Type of Operation: Lever; Worm Gear; Electric actuator; Pneumatic actuators to ISO 5211 standard.

Anti-static constructions "AS" and Fire-resistant constructions "FD"

Body Material: WCB; WC6; WC9; CF8; CF8M; CF3; CF3M

#### Specification:

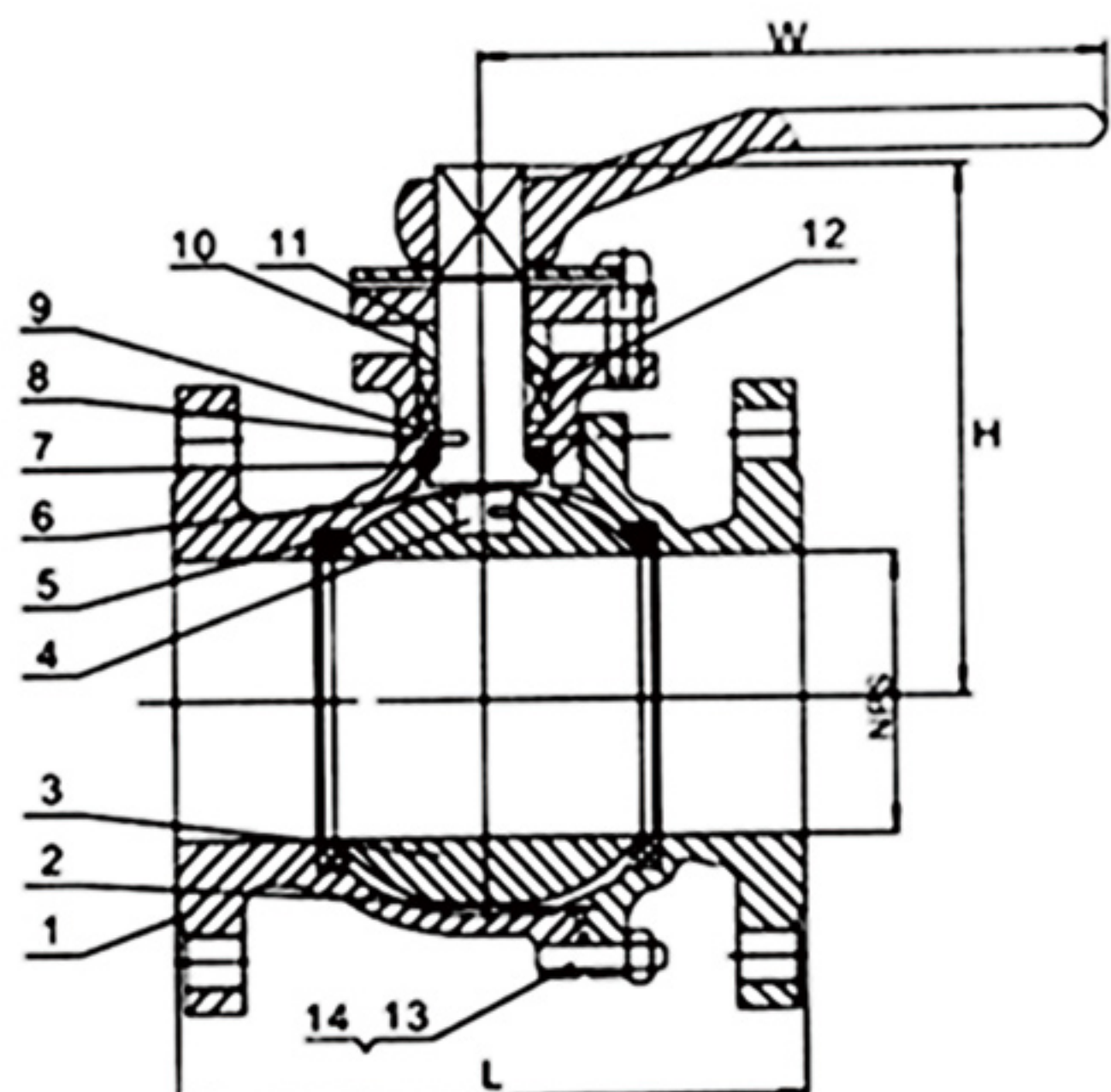
Design Standard: API 6D; API 608; ANSI B16.34 ; BS 5351

Face to Face: ASTM/ANSI B16.10

Flange Ends: ANSI B16.5

Welding Ends: ANSI B16.25

Pressure Test: API598/API6D



## Main Parts and Material:

NO.	Part name	Carbon steel		Stainless steel			
		WCB	LCB	CF8	CF8M	CF3	CF3M
1	L-body	A216 WCB	A352 LCB	A351 CF8	A351 CF8M	A351 CF3	CF3M
2	R-body	A216 WCB	A352 LCB	A351 CF8	A351 CF8M	A351 CF3	A351 CF3M
3	Ball	A105/EP.Cr	A182 F304	A351 CF8	A351 CF8M	A351 CF3	A351 CF3M
4	Stem	A182 F6	A182 F6	A182 F304	A182 F316	A182 F304L	A182 F316L
5	Seat ring	PTFE or POM					
6	Gasket	PTFE or stainless steel and graphite					
7	Stem seat	PTFE	PTFE	PTFE	PTFE	PTFE	PTFE
8	Small spring	17-17PH(inconel for NACE)NI-CR ALLOY					
9	Small ball	A182F304 A182F316					
10	Gland	A182 F6	A182 F6	A182 F304	A182 F316	A182 F304L	A182 F316L
11	Gland flange	A216 WCB	A352 LCB	A351 CF8	A351 CF8M	A351 CF3	A351 CF3M
12	Stem packing	PTFE or graphite					
13	Bonnet bolt	A193B7 A320L7 A320B8 A193B8M					
14	Bonnet nut	A194 2H A194 4 A194 8					

## Dimension and Weight:

Class 150												
DN	mm	15	20	25	40	50	65	80	100	150	200	250
NPS	inch	1/2	3/4	1	1 1/2	2	2 1/2	3	4	6	8	10
L(RF)	mm	108	117	127	165	178	191	203	229	394	457	533
L1(BW)	mm	140	152	165	190	216	241	283	305	457	521	559
L2(RTJ)	mm	119	129.7	139.7	178	191	203	216	241	406	470	546
H	mm	59	63	75	95	153	165	195	213	272	342	495
DO(W)	mm	130	130	160	230	400	400	600	850	1100	1500	*350
RF(KG)		2.3	3	4.5	7	15	20	25	40	97	160	240
BW(KG)		2.0	2.5	3.8	5.8	12	17	21	36	92.8	154	227
Class 300												
DN	mm	15	20	25	40	50	65	80	100	150	200	
NPS	inch	1/2	3/4	1	1 1/2	2	2 1/2	3	4	6	8	
L(RF)	mm	140	152	165	190	216	241	283	305	403	502	
L1(BW)	mm	140	152	165	190	216	241	283	305	457	521	
L2(RTJ)	mm	151	164.7	177.7	202.7	232	257	298	321	419	518	
H	mm	59	63	75	107	153	165	195	213	272	342	
DO(W)	mm	130	130	160	230	400	400	600	850	1100	1500	
RF(KG)		2.5	3.5	5.5	10.5	20	25	31	52	118	200	
BW(KG)		2.1	3	4.8	8.7	17	22	28	48	105	185	
Class 600												
DN	mm	15	20	25	40	50	65	80				
NPS	inch	1/2	3/4	1	1 1/2	2	2 1/2	3				
L(RF)	mm	165	190	216	241	292	330	356				
L1(BW)	mm	165	190	216	241	292	330	356				
L2(RTJ)	mm	163.4	190	216	241	295	333	359				
H	mm	59	63	75	107	153	165	195				
DO(W)	mm	130	160	160	230	600	850	1250				
RF(KG)		7.5	10.5	14.5	18.5	38	56	66				
BW(KG)		6	8.7	11	14.7	31	49	58				

All statements, technical information, and recommendations in this brochure are only for general use. For your specific requirements and material selection, please consult with representatives or sales of AEN .TECH. The right to change or modify the product design or product itself without prior notice is reserved.

Welcome global partners!

**AEN.TECH**

**CONTACT**

No. 309, Anqian Road, High-tech Zone, Anshan, Liaoning, China

E-mail: liuchangsong9688@gmail.com, ceo@asaicn.com

TEL No: +86 04122616600

www.aen-valve.com

2020 AEN.TECH International. All rights reserved.