



A120
2" - 48" (DN50 - DN1200)

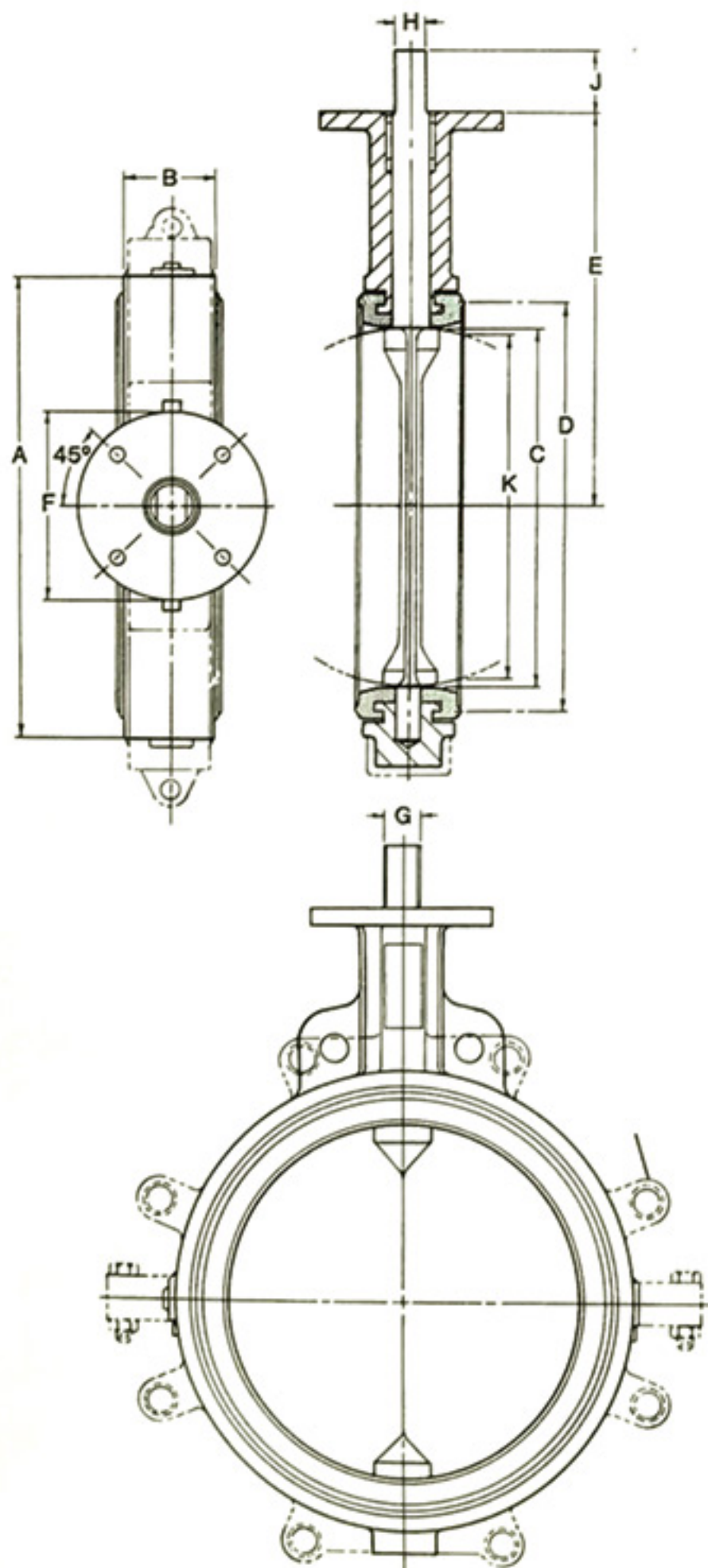
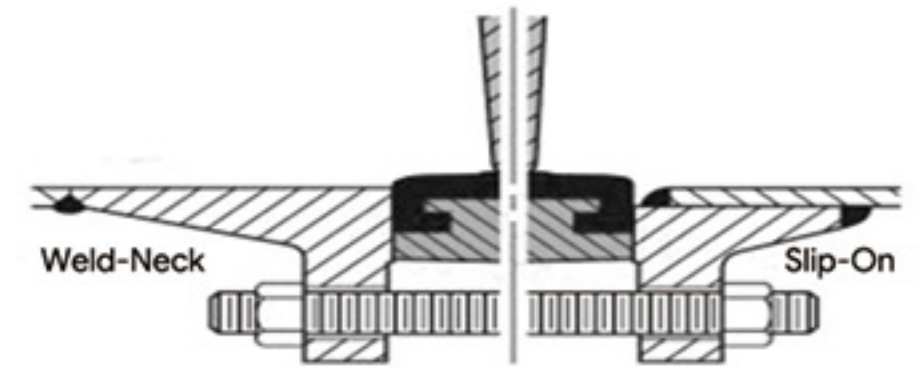
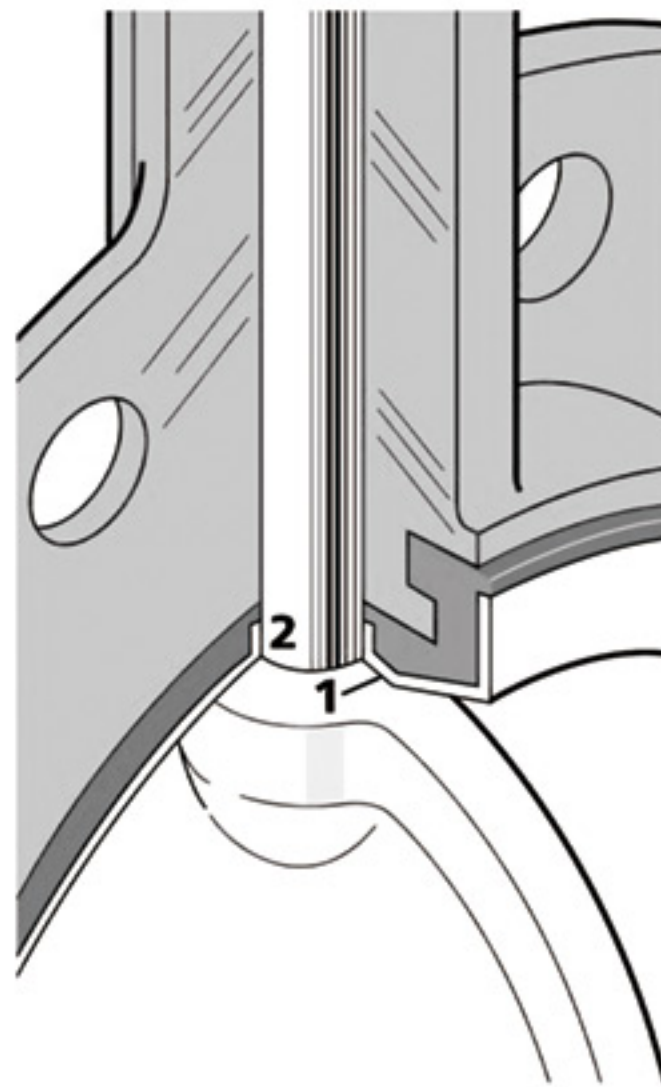
Fluorine Lining Butterfly Valve

High Temperature & Corrosion Resistance

A120

1- 20" (25mm -500mm)

AEN.TECH is proud to offer a high quality line of butterfly valves to meet the stringent requirements of today's applications. The Series A120 & A121 valves not only surpass the high standards required in sanitary valve applications, but also have unique inherent flow characteristics and capabilities. As for high performance in butterfly valve flow control, the "Engineer's Valve" is a good choice.



Dimensions

Valve size		A	B	C	D	E	F	Mounting flange drig.			G	H	J	K
ins	mm							BC	No. Holes	Hole Dia.				
1	25	2.36	1.18	1.25	1.73	3.54	2.56	1.97	4	.28	.39	.32	1.00	.44
1½	40	3.16	1.26	1.84	2.53	4.12	2.56	1.97	4	.28	.39	.32	1.00	1.35
2	50	3.69	1.62	2.00	2.84	5.50	3.54	2.76	4	.39	.55	.39	1.25	1.32
2½	65	4.19	1.75	2.50	3.34	6.00	3.54	2.76	4	.39	.55	.39	1.25	1.91
3	80	4.88	1.75	3.00	4.03	6.25	3.54	2.76	4	.39	.55	.39	1.25	2.55
4	100	6.06	2.00	4.00	5.16	7.00	3.54	2.76	4	.39	.63	.43	1.25	3.57
5	125	7.12	2.12	5.00	6.16	7.50	3.54	2.76	4	.39	.75	.51	1.25	4.63
6	150	8.12	2.12	5.75	7.02	8.00	3.54	2.76	4	.39	.75	.51	1.25	5.45
8	200	10.50	2.50	7.75	9.47	9.50	5.91	4.92	4	.57	.87	.63	1.25	7.45
10	250	12.75	2.50	9.75	11.47	10.75	5.91	4.92	4	.57	1.18	.87	2.00	9.53
12	300	14.88	3.00	11.75	13.47	12.25	5.91	4.92	4	.57	1.18	.87	2.00	11.47

- To check the installation position again and fasten the screw.
- To fully open the valve to ensure its freedom of open and shut off.
- To fasten the crew again and make test of the usage of the valve.

Maintenance:

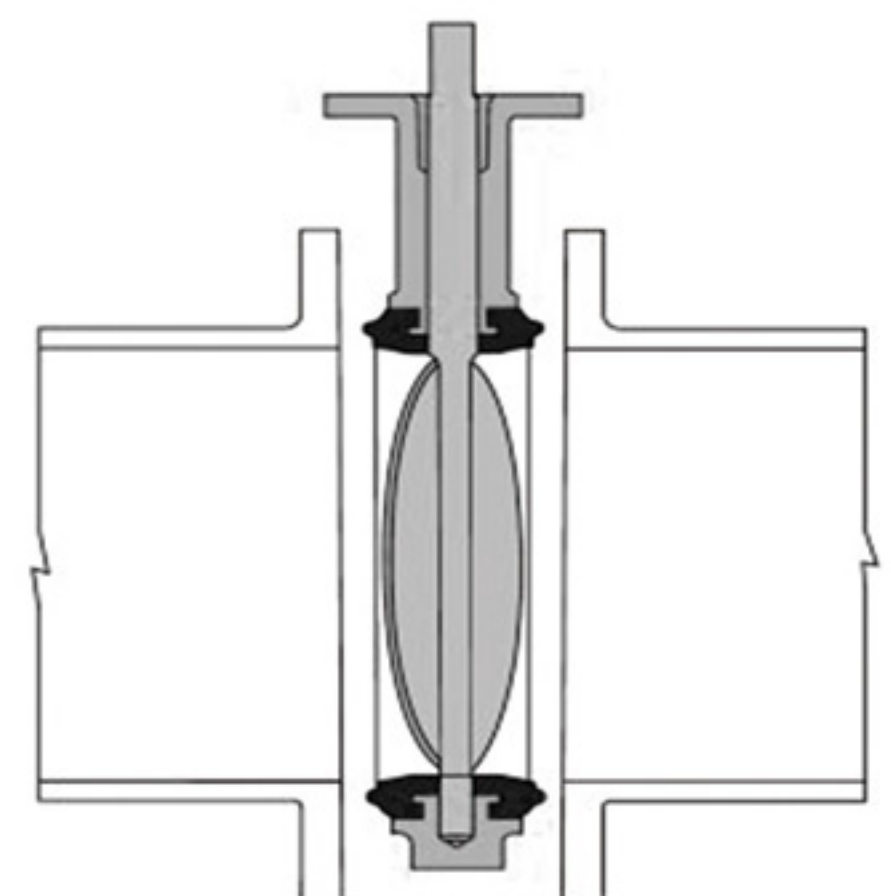
Many AEN.TECH's products are featured with minimize wear and without lubrication in routine maintenance. All components including stem, disc, seat, bushing, stem seal, are replaceable in field. If replacement is needed, just remove the valve from the pipe line by placing the disc near the closed position, spread the flanges, support the valve, then remove the flange bolts. Please note that no valve maintenance, including removal of manual or power actuators, should be performed until the piping system is completely depressurized.

Dis-Assembly:

Firstly, to remove the handle, manual gear box or other actuators from the mounting flange. Then, to remove the body bolts and pull the lower body to half away from the seat, and pull the seat and disc/stem from the upper body. Following, to remove the bushing and seal from the upper body. Finally, to push the seat into oval shape and remove the disc/stem by withdrawing the end of the short stem .

Assembly:

- To put the valve in between the two corresponding flanges. Please note the align of the hole between the valve body and flanges .
- To connect the valve body and flanges with bolts and nuts. Please pay attention to the flatness of the connection and the less tightness of the screw.
- To do the temporarily fix of flanges by spot welding.
- To remove the valve and fully weld them to finish the permanent fix.
- To install the valve as soon as the welding spot cooled. Please make sure the open of the disc is better.



Disc in the near closed position

Design Features

AEN.TECH's series A120 butterfly valve is a wafer version with flange locating holes, while the series A121 is a companion lug version for dead end service and other flange requirements. All AEN.TECH's valves are tested to 110% of full pressure rating before shipment. A major design advantage of AEN.TECH product line is the international compatibility. The same valve is compatible with most world flange standards, such as: ANSI, BS, DIN, JIS, etc. In addition, the valves are designed to comply with ISO 5752 face to face and ISO 5211 actuator mounting flanges. Therefore, one valve design can be used in many different markets all over the world.

AEN.TECH has always been offering you with the best uniformity of low cost and high performance valves.



Cv Values-Valve Sizing Coefficient

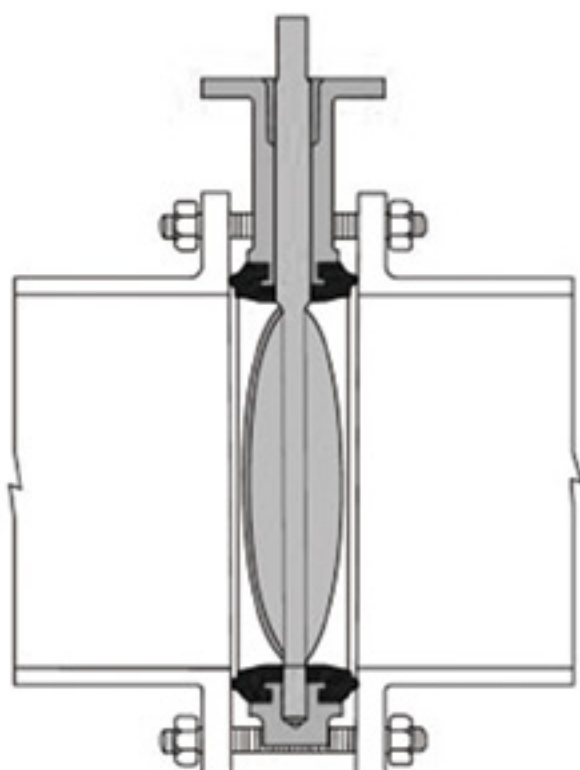
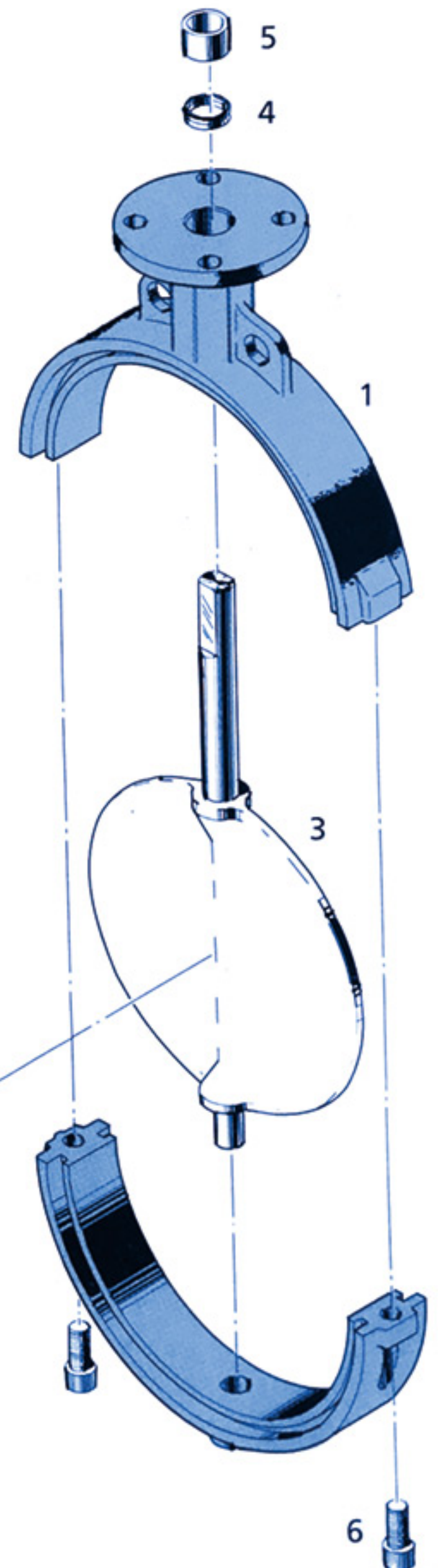
Valve size		Disc position(degrees)								
ins	mm	90°	80°	70°	60°	50°	40°	30°	20°	10°
1	25	61	56	36	21	11	5.6	2.7	.97	.07
1½	40	147	129	87	50	26	12.8	5.9	1.7	.25
2	50	244	172	123	73	45	27	16	7	.89
2½	65	439	310	201	115	71	43	25	11	1.4
3	80	691	488	290	165	102	62	35	16	2.0
4	100	1282	906	515	294	182	110	63	28	3.6
5	125	2070	1416	805	459	284	172	98	44	6
6	150	2786	1873	1065	607	376	227	130	59	7
8	200	5191	3402	1935	1147	714	427	244	106	13
10	250	8238	5385	3062	1815	1130	675	387	168	21
12	300	12102	7820	4448	2636	1642	981	562	245	31
14	350	15210	9829	5590	3313	2064	1234	706	307	40
16	400	19940	12885	7328	4343	2706	1617	925	403	52
18	450	26150	16898	9610	5695	3549	2121	1213	528	68
20	500	32690	21124	12014	7120	4436	2651	1517	660	85

Components

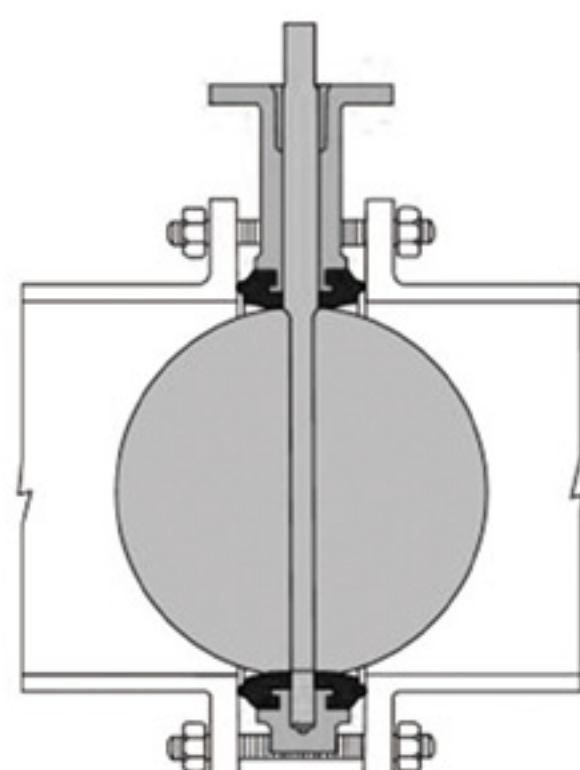
No.	Qty.	Description
1	1	Body
2	1	Seat
3	1	Disc/stem
4	1	Stem seal
5	1	Stem bushing
6	2	Body bolt

Temperature Range of Seats

Type	Maximum	Minimum
EPDM	+250°F(121°C)	-40°F(-40°C)
Buna-N	+212°F(100°C)	0°F(-18°C)
FKM*	+400°F(204°C)	0°F(-18°C)
PTFE-Lined EPDM	+250°F(121°C)	-20°F(-29°C)



Disc in the partially open position



Disc in the full open position



2

6

ABOUT

AEN.TECH is an integrated machinery manufacturing group company. It has 18 years of development history since its first plant was put into operation. Currently, it has three factories in China and mainly produces various types of valves and machined products. Over the years, the products have been widely used in metallurgy, chemical industry, sewage treatment, heating and construction, gas, and other fields, and AEN committed to providing customers with a full range of industrial valve solutions.



World Headquarters, Anshan, China

The factory has advanced processing equipment and the products are produced in accordance with API, ANSI, JIS, ISO, BS, JB, and GB standards. The production technology is advanced and the testing methods are perfect.

Over the years, the company has served the world's industrial sectors with its advantages of good reputation, stable product quality, modern enterprise management, automated processing equipment and advanced technology.

The main products: valves, pipe fittings.

Worldwide Sales and Services Network



All statements, technical information, and recommendations in this brochure are only for general use. For your specific requirements and material selection, please consult with representatives or sales of AEN .TECH. The right to change or modify the product design or product itself without prior notice is reserved.

Welcome global partners!

DISTRIBUTOR

CONTACT

High-tech Zone, Anshan, Liaoning, China

E-mail: liuchangsong9688@gmail.com, ceo@asaicn.com

TEL No: +86 04122616600

www.aen-valve.com