

A141
2" - 24" (DN50 - DN600)



Long life,
Light weight,
Small volume,
Easy maintenance

High Performance Butterfly Valve

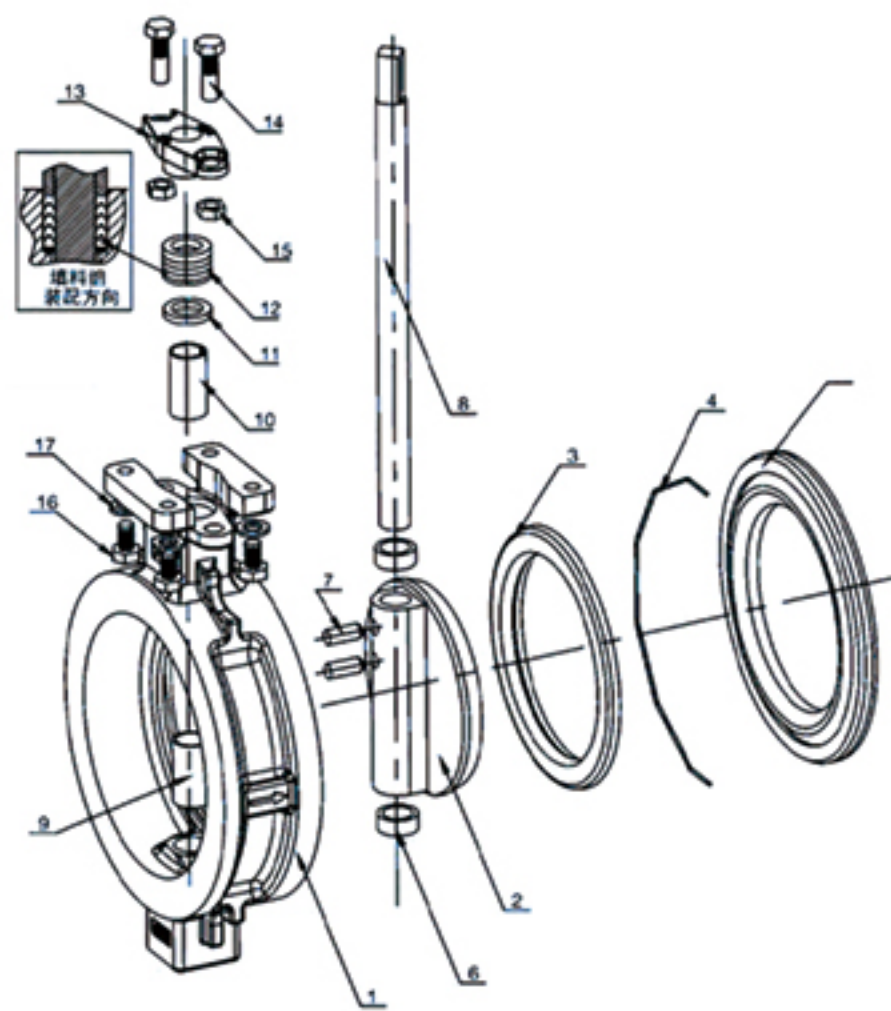
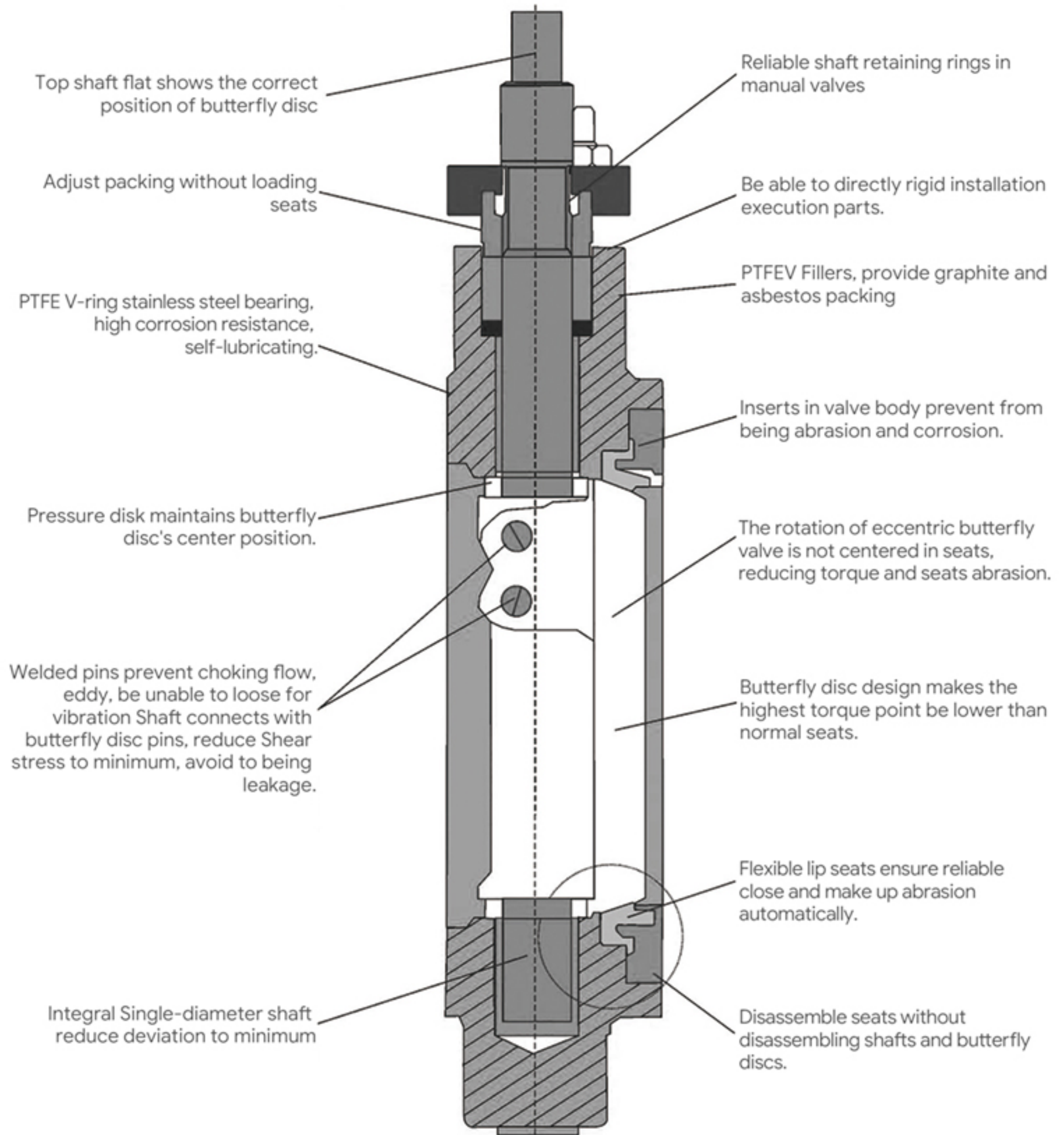
A141

AEN.TECH A141 high-performance butterfly valve is a new type of butterfly valve designed on the basis of absorbing the advantages of several different structure butterfly valves. The sealing surface of the plate is a spherical arc face. The sealing mechanism achieves a true dynamic seal through the system pressure, so it has excellent cutting performance and durability.

This type valve has the below characteristics:

1. Long service life, by one million times test in laboratory environment, the service life is geometrical multiples higher than the center line butterfly valve.
2. Small size and light weight, easy for installation and maintenance.
3. High pressure range, the highest pressure can reach to 10MPa, which can be used for various medias.

Structural Features of the Product



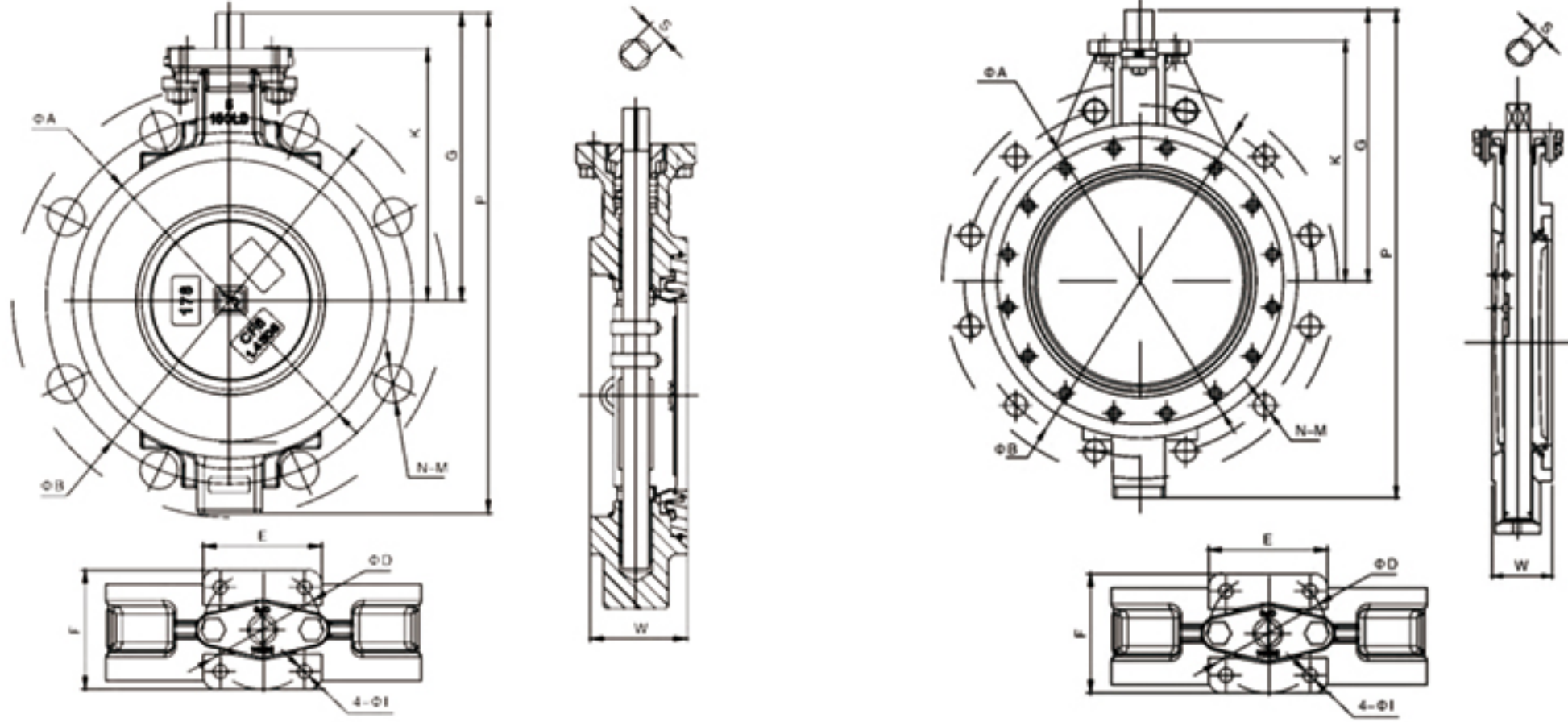
Easy for the installation of actuators :

1. This series of products conforms to the ISO5211 platform installation standard, which can be directly installed with various actuators, which will save the installation cost and bring much more convenience.

Material

No.	Name	Material
1	Body	WCB, CF8, CF8M, CF3M
2	Plate	CF8, CF8M, CF3M
3	Seal ring	PTFE, RPTFE, PPL
4	Embedded Spring	INCONEL X-750
5	Insert	20#, 304, 316, 316L
6	Check Ring	316
7	Pin	17-4PH
8	Stem	17-4PH
9	Upper Shaft Sleeve	316+RPTFE
10	Lower Shaft Sleeve	316+RPTFE
11	Packing Seat	316
12	Packing Group	PTFE, RPTFE, PPL
13	Packing Gland	CF8
14	Bottom Bolt	WCB, CF8
15	Gland Nut	WCB, CF8
16	Hexagonal Nut	GB3098.18.8 GB3098.1A2-70
17	Spring Washer	WCB, 316

Size Parameters



NPS	DN	K	G	P	W	A	B	E	F	D	I	N	M	S
2"	50	98	110	174	43	96	120.7	55	55	55	6	4	Φ19	9*9
2.5"	65	112	128	210	49	120	139.7	70	70	70	8	4	Φ19	11*11
3"	80	122	140	230	49	131	152.4	70	70	70	8	4	Φ19	11*11
4"	100	135	154	259	54	155	190.5	70	70	70	8	8	Φ19	11*11
5"	125	148	168	293	64	186	215.9	70	70	70	8	8	Φ22	11*11
6"	150	168	192	325	57	216	241.3	102	102	102	10	8	Φ22	14*14
8"	200	199	224	396	64	270	298.5	102	102	102	10	8	Φ22	17*17
10"	250	232	262	464	71	320	362	120	120	125	12	12	Φ26	22*22
12"	300	269	301	538	81	380	431.8	120	120	125	12	12	Φ26	27*27
14"	350	328	366	696.5	92	425	476.3	136	136	125/140	Φ16	12	Φ29	27*27
16"	400	353	391	691	102	470	539.8	136	136	125/140	Φ16	16	Φ29	36*36
18"	450	380	428	758	114	533	577.9	170	170	140/165	Φ20	16	Φ32	36*36
20"	500	440	488	858	127	584	635	180	180	165	Φ20	20	Φ32	46*46
24"	600	515	563	1013	154	692	749.3	200	200	165	Φ20	20	Φ35	46*46

More products please visit
www.aen-valve.com



ABOUT

AEN.TECH is an integrated machinery manufacturing group company. It has 18 years of development history since its first plant was put into operation. Currently, it has three factories in China and mainly produces various types of valves and machined products. Over the years, the products have been widely used in metallurgy, chemical industry, sewage treatment, heating and construction, gas, and other fields, and AEN committed to providing customers with a full range of industrial valve solutions.



World Headquarters, Anshan, China

The factory has advanced processing equipment and the products are produced in accordance with API, ANSI, JIS, ISO, BS, JB, and GB standards. The production technology is advanced and the testing methods are perfect.

Over the years, the company has served the world's industrial sectors with its advantages of good reputation, stable product quality, modern enterprise management, automated processing equipment and advanced technology.

The main products: valves, pipe fittings.

Worldwide Sales and Services Network



All statements, technical information, and recommendations in this bulletin are for general use only. Consult AEN.TECH representatives or factory for the specific requirements and material selection for your intended application. The right to change or modify product design or product without prior notice is reserved.

Welcome global partners

DISTRIBUTOR

AEN.TECH CONTACT

High-tech Zone, Anshan, Liaoning, China

E-mail: liuchangsong9688@gmail.com, ceo@asaicn.com

TEL No: +86 04122616600

www.aen-valve.com