

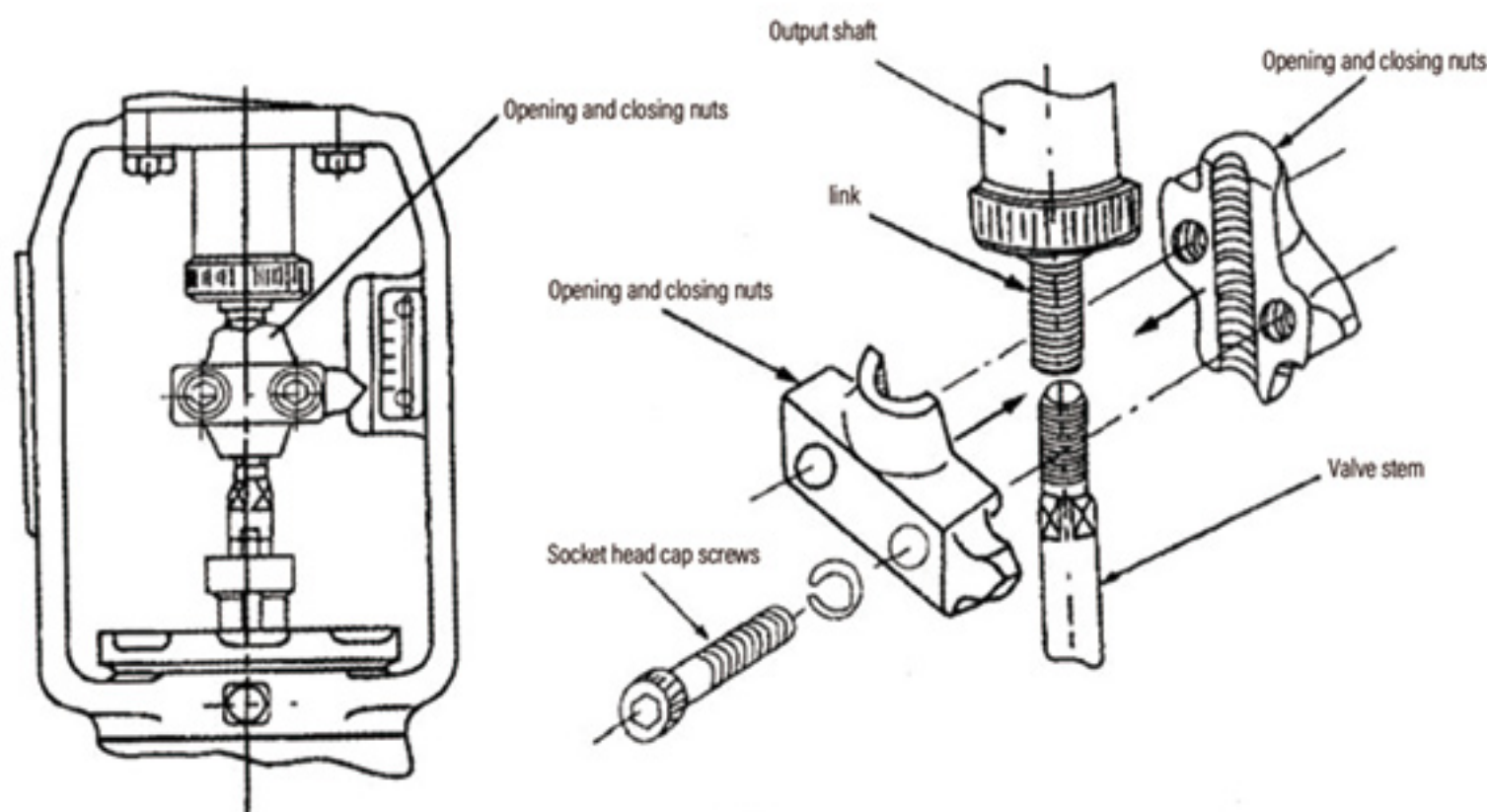


A3810 Multi-Turn Electric Actuator

The electronic actuator is a 220V (especially 380V, 24V) AC single-phase power supply as the driving power source. It receives new control signals (DC4-20mA or DC1-5V) from various sensors or regulators to achieve a new type of recti motion. When this series of actuators are used as actuators of regulating valves, they have almost all the functions required for regulating the valves themselves, as well as valve opening signal functions and manual functions. Therefore, it is widely used in thousands of industrial sectors such as power generation, metallurgy, petrochemicals, light industry and environmental protection. This series of electric actuators are simple to control, small and light, and with low power loss. The electronic controller adopts technical features imported from Japan, with high control accuracy and convenient installation.

Main feature

1. The actuator is designed with a servo system (no additional servo amplifier is required), only DC4 ~ 20mA (or DC1 ~ 5V) signal and AC220V single-phase power supply need to be connected. Built-in terminal blocks make wiring extremely simple and convenient.
2. The key component of the actuator-the controller, adopts the most advanced hybrid integrated circuit, is sealed and cast with resin, the shape is modular, the volume is small, and the reliability is high.
3. Driving feedback detection uses performance conductive plastic potentiometer, resolution <0.4%
4. With self-diagnostic function, when a fault occurs, the indicator light on the controller will immediately send out an indication signal.
5. When the state selection switch can be used to set the break signal, the valve core is fully open, fully closed or self-locking.
6. The status selection switch can be used to set positive and negative actions.
7. Use the state selection switch to set the input signal to DC4 ~ 20mA or DC1 ~ 5V.
8. It is easy to adjust the working zero point (start point) and stroke (end point).
9. When the power is suddenly cut off, the self-locking function can be ensured.
10. Gear transmission is adopted to effectively reduce failures.
11. Time-delay protection function. It can implement self-locking state at rated load. When a fault occurs, it can start protection immediately, and reverse operation can cancel the time-delay protection.



The main components of the actuator:

1. Controller: It accepts DC4-20mA or DC1-5V signal from the regulator, and controls the actuator to work in a predetermined mode.
2. Transmission mechanism: The rotary motion of the motor is converted into a linear reciprocating motion of the power output shaft to realize the opening and closing functions of the regulating valve.
3. Opening detection mechanism: The linear movement displacement of the output shaft (opening of the spool) is fed back to the potentiometer, which is converted into an electrical signal by the potentiometer and feedback to the controller. When the difference between the signal and the valve opening signal is zero, the motor will stop working.

4. Coupling mechanism: The actuator is connected to the controlled valve through a bracket, and the output shaft of the actuator is connected to the valve stem by an opening and closing nut. There is a pointer on the opening and closing nut and a scale on the bracket to indicate the output shaft (or Valve stem).

5. Manual mechanism: This actuator is also designed with a manual mechanism. In the case of power failure, the valve can be manually opened, closed and adjusted according to the needs.

Category	A3810L Series	A3610L Series	Rated output force N	Speed mm/s	Stroke mm
Normal type	A381LSA-08	A361LSA-08	800	4.2	30
	A381LSA-20	A361LSA-20	2000	2.1	
	A381LSB-30	A361LSB-30	3000	3.5	60
	A381LSB-50	A361LSB-50	5000	1.7	
	A381LSC-65	A361LSC-65	6500	3.4	100
	A381LSC-99	A361LSC-99	10000	2	
	A381LSC-160	A361LSC-160	16000	1	
	A381LSD-250	A361LSD-250	25000	1	
	A381LSD-400	A361LSD-400	40000	1	
Fire proof type	A381LXA-08	A361LXA-08	800	4.2	30
	A381LXA-20	A361LXA-20	2000	2.1	
	A381LXB-30	A361LXB-30	3000	3.5	60
	A381LXB-50	A361LXB-50	5000	1.7	
	A381LXC-65	A361LXC-65	6500	3.4	100
	A381LXC-99	A361LXC-99	10000	2	
	A381LXC-160	A361LXC-160	16000	1	
	A381LXD-250	A361LXD-250	25000	1	
	A381LXD-400	A361LXD-400	40000	1	

All statements, technical information, and recommendations in this brochure are only for general use. For your specific requirements and material selection, please consult with representatives or sales of AEN .TECH. The right to change or modify the product design or product itself without prior notice is reserved.

AEN.TECH

CONTACT

No. 309, Anqian Road, High-tech Zone, Anshan, Liaoning, China

E-mail: liuchangsong9688@gmail.com, ceo@asaicn.com

TEL No: +86 04122616600

www.aen-valve.com

Welcome global partners!

2020 AEN.TECH International. All rights reserved.