



A80
Ball Valve: 1/4" - 4"

Two-Piece Thread Ball Valve

AEN.TECH A80 two-piece valve body is available in stainless steel or carbon steel. Stainless steel bodies are of good corrosion resistance, so it allows the structural components to permanently maintain the integrity of the engineering design, while carbon steel bodies are normalized and black phosphate coated for adding corrosion resistance. All body castings are marked with a foundry heat number for full traceability. These quarter turn valves are featured with an adjustable packing gland for safe sealing. Other features include low operating torque, internal bottom entry blow-out proof stems, and stainless steel safety latch handles.

Pressure rating: 1000 psi WOG

Steam rating: 150 psi WSP

Temperature range: from -46°C to 232°C

Thread type: G; NPT; BSPT; BSP; DIN259/299

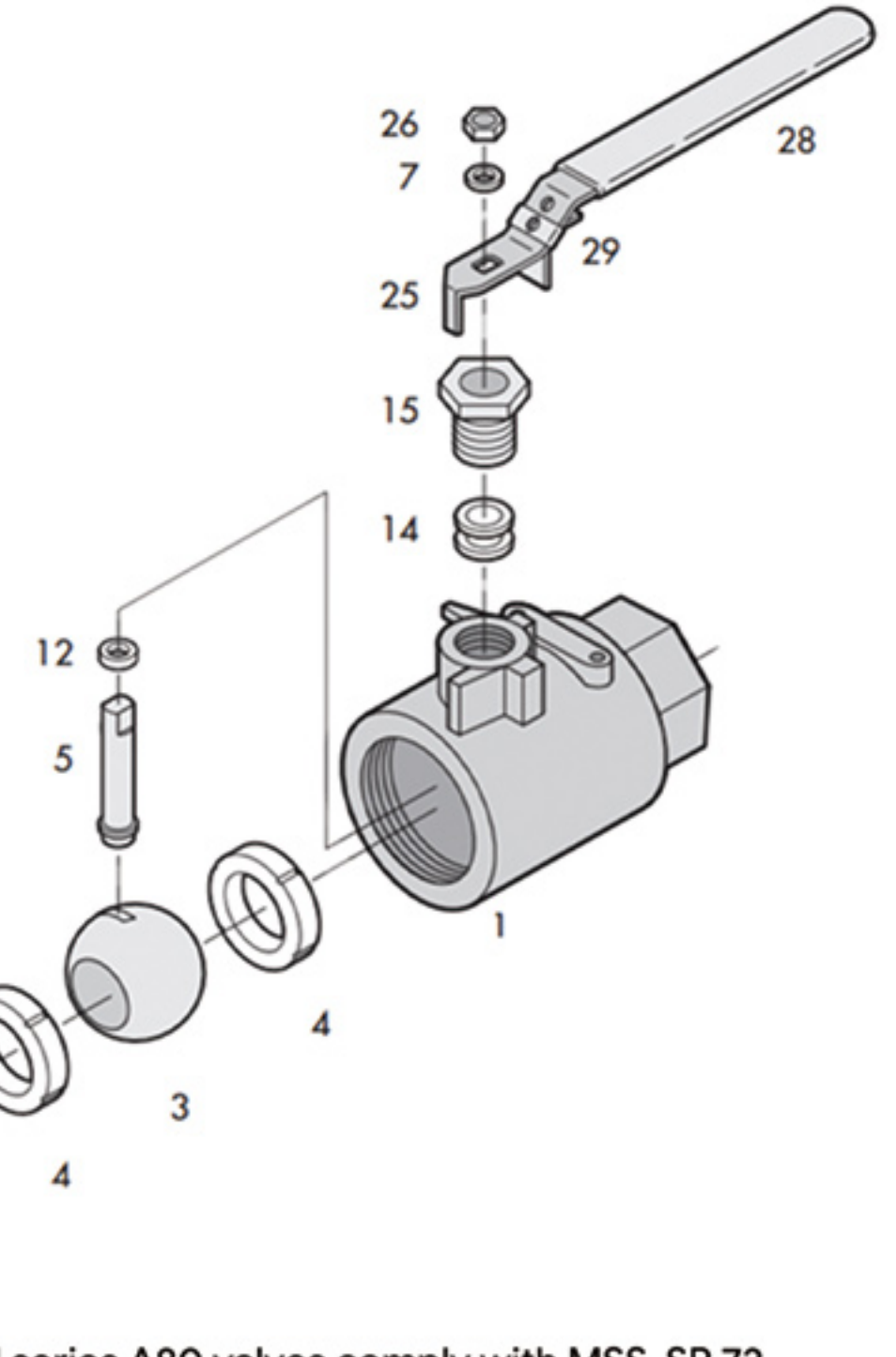
Body material: Stainless Steel; Carbon Steel

Specifications

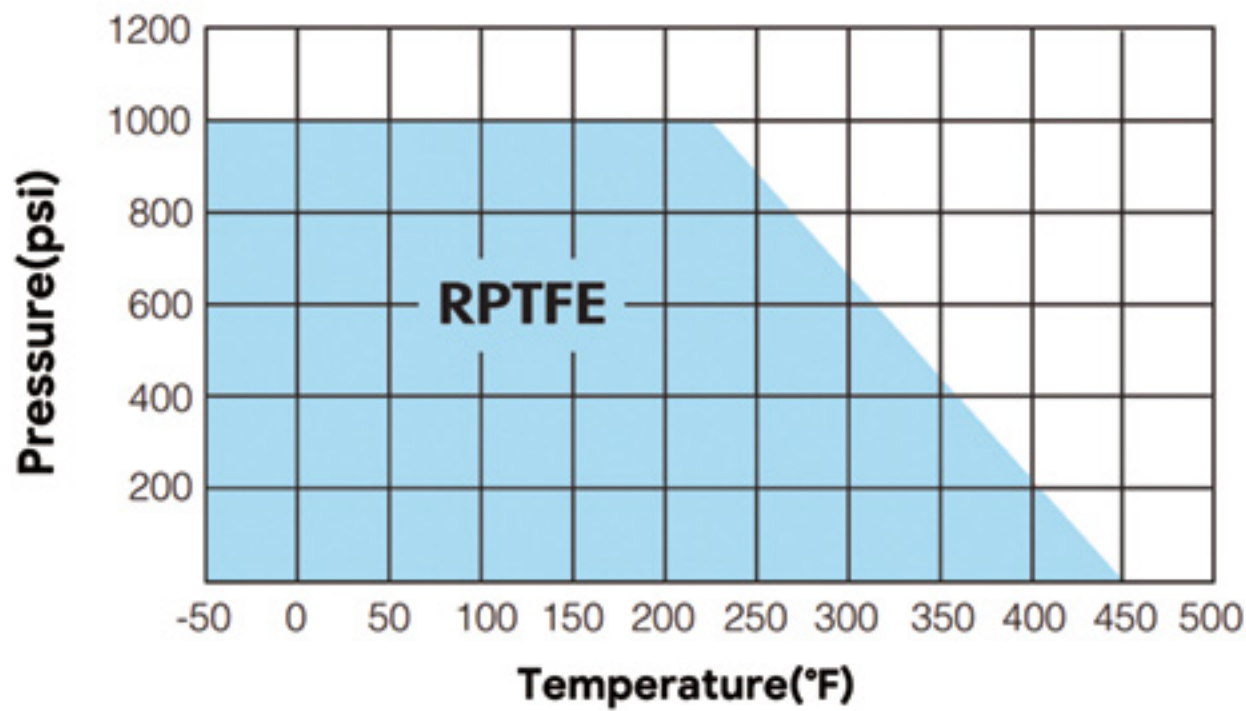
Ports:	Full Port
Body style:	Two Piece
Size range:	1/4" - 4" (8mm - 100mm)
Temperature range:	-50°F to 450°F (-46°C to 232°C)
Pressure ratings:	1000 psi WOG (69 Bar)
Steam rating:	150 psi WSP (11 Bar)
Thread type	G.MPT.BSPT.BSP.DIN259/299.
Body materials:	Stainless Steel
Seat materials:	RPTFE
Applications:	General Service, Air, Water, Oil & Gas

Components and Materials

Item	Name	Stainless Steel	Qty.
1	Body	ASTM A351 Gr CF8M/CF8	1
2	End cap	ASTM A351 Gr CF8M/CF8	1
3	Ball	SS316	1
4	Seat	RPTFE	2
5	Stem	SS316/SS304	1
6	Body seal	RPTFE	1
7	Spring washer	SS304	1
12	Thrust washer	RPTFE	1
14	Stem packing	RPTFE	2
15	Packing gland	SS304	1
25	Handle	SS304	1
26	Handle nut	SS304	1
28	Handle sleeve	Vinyl	1
29	Locking device	SS304	1



Pressure/Temperature

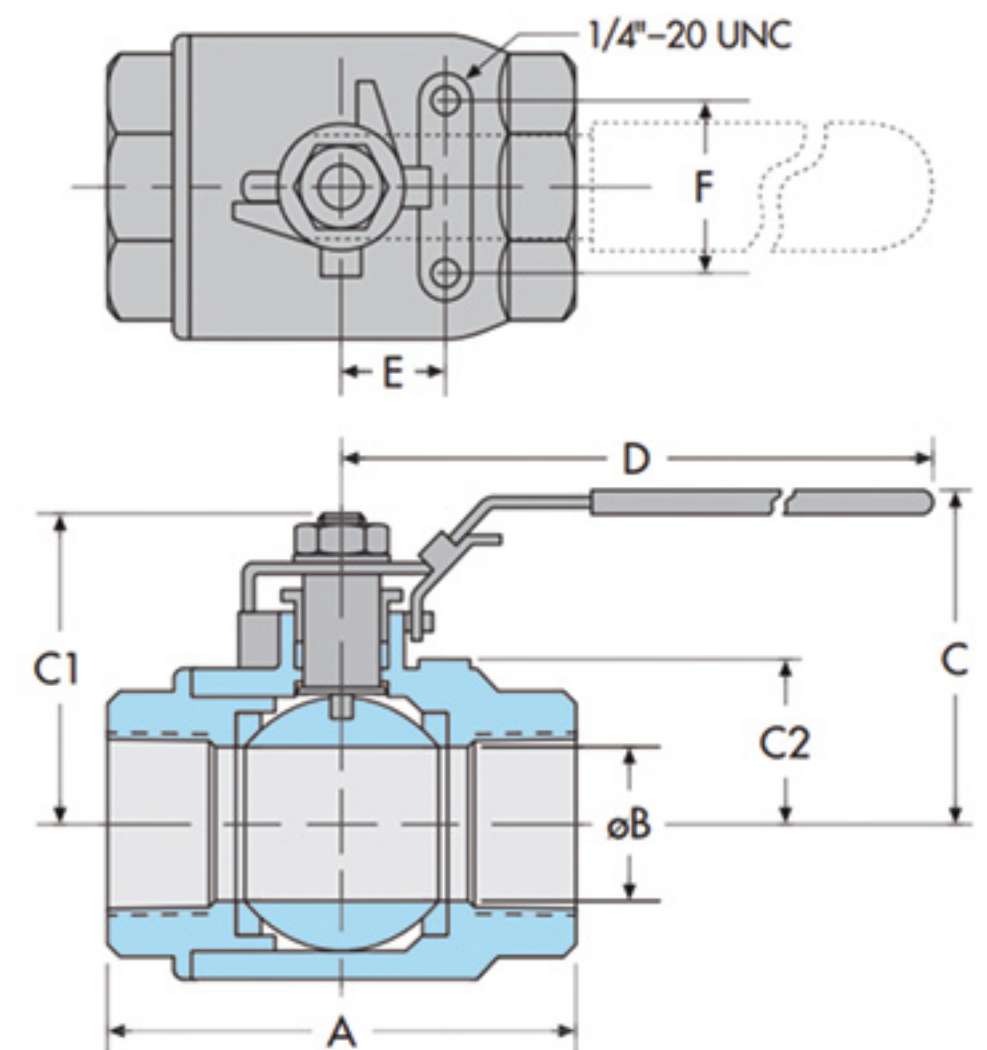


Steam rating:
150 psi WSP

All series A80 valves comply with MSS-SP 72
All valves are tested in accordance with MSS-SP 72
Vacuum service to 29 inches Hg gauge.

Dimensions and Weights

Size in	A	ØB Port	C	C1	C2	D	E	F	Cv	Torque Lb-in	Weight lbs
1/4	2.1	0.46	2.1	1.6	0.48	3.8	0.5	1.12	10	65	0.5
3/8	2.1	0.49	2.1	1.6	0.48	3.8	0.5	1.12	12	65	0.5
1/2	2.5	0.59	2.4	1.8	0.76	3.9	0.5	1.14	38	65	0.8
3/4	2.6	0.79	2.4	2.0	0.85	4.8	0.5	1.4	66	85	1.2
1	3.3	0.98	2.9	2.3	1.02	5.7	0.9	1.4	105	125	1.9
1¼	4	1.25	3.1	2.5	1.20	5.9	0.9	1.5	190	230	2.5
1½	4.3	1.50	3.3	3.0	1.47	7.2	0.9	1.5	275	300	4.0
2	4.8	2.00	3.8	3.3	1.71	7.2	0.9	1.5	480	365	6.5
2½	6.2	2.50	5.0	4.5	2.20	9.8	1.4	2.2	797	650	11.3
3	7.2	3.00	5.3	5.1	2.97	9.8	1.4	2.2	1210	765	16.9
4	8.8	4.00	6.1	5.8	3.40	14.4	1.4	2.2	2055	3000	33.2



AEN.TECH CONTACT

No. 309, Anqian Road, High-tech Zone, Anshan, Liaoning, China

E-mail: liuchangsong9688@gmail.com, ceo@asaicn.com

TEL No: +86 04122616600

www.aen-valve.com

All statements, technical information, and recommendations in this brochure are only for general use. For your specific requirements and material selection, please consult with representatives or sales of AEN .TECH. The right to change or modify the product design or product itself without prior notice is reserved.

Welcome global partners!

2020 AEN.TECH International. All rights reserved.