

A8000
1/4" - 12" (8mm - 300mm)



Three-Piece Threaded Ball Valve

Versatile, Economical & Durable

A8000

AEN A8000 ball valve requires only a 90-degree rotation and a very small torque to close tight. The completely equal inner chamber of the valve body provides the medium with little resistance and straight passage. Which is considered to be most suitable for directly open-close use. This type valve also offer the highest flexibility in selection of end connections and seat materials.

AEN A8000 ball valve is designed with extensive interchangeability of balls, stems, stem packing, handles and mounting hardware between valve sizes and series members. This system will reduce not only inventory of parts but also cost of maintenance. The design of three-piece body allows the body to easily swing out in pipeline maintenance. It also makes it possible to offer a wide variety of end connections.



- 3 **Seat** | Seat design ensures bidirectional bubble-tight sealing while providing the lowest possible torque. This type design reduces friction, minimizes seat wear and reduces operating torque.
- 4 **Seat Materials** | Offers the following standard seat materials for series A8000: PTFE; RPTFE; Stainless Steel; TFM 1600; Cavity Fillers. Besides, other seat materials are available as per requirement.
- 5 **Double Lock Nut Design** | The double lock nut design of series A8000 allows the handle to be easily and safely removed while the valve is under full line pressure.
- 6 **Live-Loaded Stem** | The standard (up to 65mm) live-loaded stem seals with belleville washers considerably increase the number of cycles between maintenance adjustments.
- 7 **Secure Mount** | The integrally cast top flange ensures positive actuator mounting. Secure mount eliminates the unwanted actuator movement during high cycle or continuous duty applications. Actuator equipment can be easily and safely removed while the valve is under full line pressure. Designed to ISO 5211 bolting pattern standards.
- 8 **Handle** | The use of safety trigger makes operation more easily with one hand. The safety trigger locks the handle in the open or closed position. The handle lock can be bypassed, if needed, with a small bolt through the handle in the bypass position. An anti tamper padlock can be used to secure the handle in position, preventing unwanted access. Travel stops limit the movement of handle to set 90 intervals, preventing over travel of the ball.
- 9 **End Connections** | Full range of interchangeable connections including threaded, socket weld, butt weld, flanged and extended weld in place.
- 10 **Smart Stem** | (8mm to 65mm) interchangeable family of valves feature strong large diameter stems with live-loaded, Self-adjusting stem seal utilizing belleville washers which automatically adjust to compensate for changes in temperature and wear. The assembly is secured by a saddle type tab lock washer which prevents stem nuts from unthreading in high cycle automation applications.
- 11 **Stem Assembly** | Manufactures heavy duty, high quality stems with double "D" connection to ball and operator mounting stems are mated with the ball to ensure positive contact. All AEN stems are internal entry and blowout proof for maximum safety.
- 12 **Stem Packing** | An adjustable v-ring design creates a multiple seal between the stem and body. Each stem assembly is composed of three or four (dependent on valve size) rings providing a very high cycle life by resisting creep and cold flow. The thrust washer and the thrust washer protector combines to provide a primary seal, which reduces torque and prevent galling.
- 13 **Antil-Static Protection** | Series A8000 valves are featured with anti-static grounding devices as standard. These devices ensure electrical continuity between valve ball, stem and body, thus eliminating the possibility of static electrical charges creating sparks within the valve.
- 14 **Stem Design** | As for size from 80mm to 300mm (3" - 12"), the stem is guided by the valve body and the gland, ensuring smooth operation even in high torque service. The packing gland is adjustable and all stems are polished to reduce torque. Optional belleville washers can be added for a self adjusting.

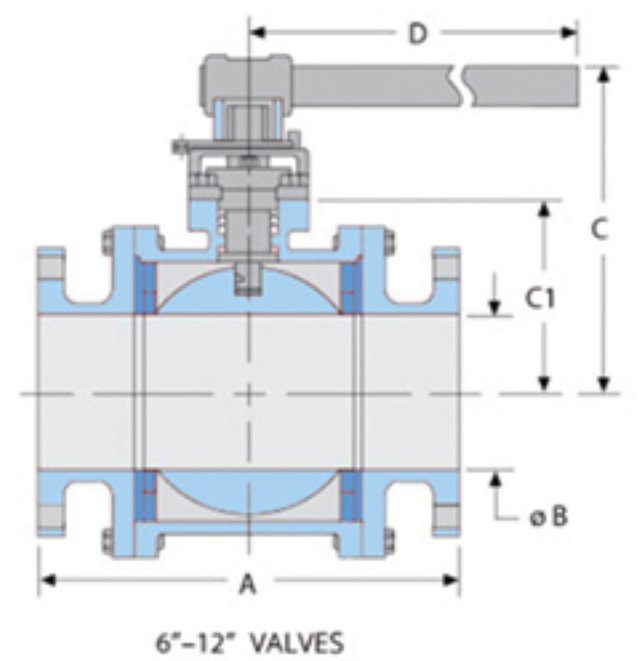
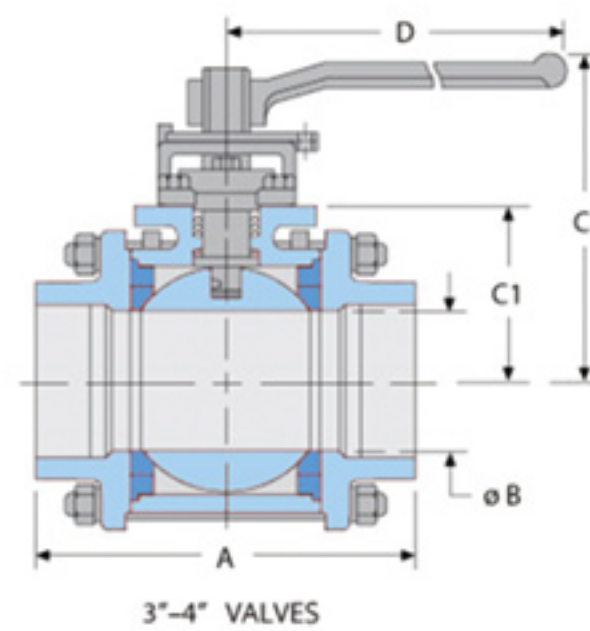
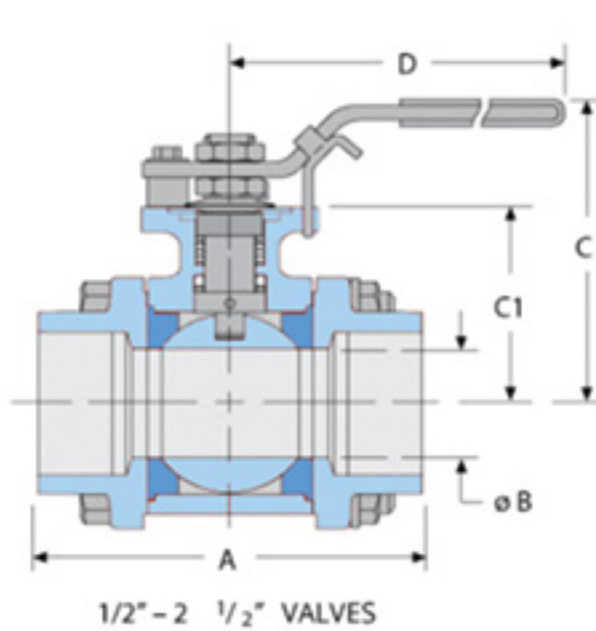
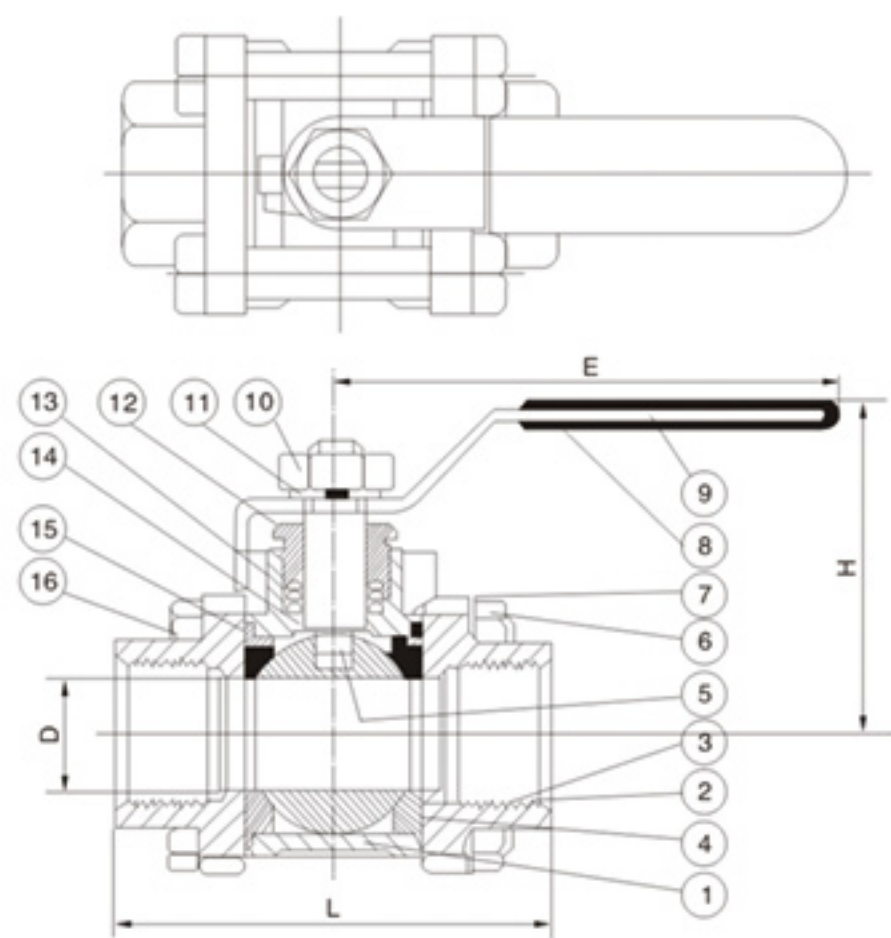


Specifications

Ports:	Full Port
Body style:	Three Piece
Size range:	1/4" - 12" (8mm - 300mm)
Temperature range:	-50°F to 550°F (-46°C to 287°C)
Pressure ratings:	1/4" - 4": 1000 psi CWP (69 Bar) 6" - 12": 400 psi CWP (27 Bar)
End connections:	Threaded, Socket Weld, Butt Weld, Flanged, Extended Socket Weld or Butt Weld
Body materials:	Carbon Steel (8000)
Seat materials:	Standard: RPTFE Optional: TFM 1600, UHMWPE, Cavity Fillers

Features & Benefits

- 1 **Ball** | Valve balls are solid metal, precision machined and mirror finished for bubble tight shut off with less operating torque. Ball edges have machined curvatures to reduce wear and provide high service life.
- 2 **Body** | Valve bodies are investment cast and solution annealed/normalized for the highest quality and added strength. Body castings are marked with a foundry heat number for trace. Carbon steel bodies are phosphate coated for increasing corrosion resistance.



Application Norm

Working Pressure:

1.6-6.4MPa 1000psi

Temperature Range:

-20~232°C~350°C

Suitable Medium:

Water,oil,air and some Corrosive liquid

Thread Type:

G . NPT . BSPT . BSP . DIN 259/299

Main Dimensions

Size	1/4"	3/8"	1/2"	3/4"	1"	1 1/4"	1 1/2"	2"	2 1/2"	3"	4"
D	11.6	12.7	15	20	25	32	38	50	65	80	100
L	68	68	72	85	90	112	120	145	185	210	268
H	100	100	130	130	165	165	190	190	250	250	280
E	100	100	130	130	165	165	190	190	250	250	280
Weights	400	405	640	890	1160	2195	2940	4860	700	10700	19350

Main Parts and Materials

No.	Part name	Material	
		Stainless steel	Carbon steel
1	Body	CF8M	WCB
2	Joint ring	PTFE	PTFE
3	Cap	CF8M	WCB
4	Ball	SS316	SS304
5	Stem	SS316	SS316
6	Nut	SS304	FCD45
7	Washer	SS304	FCD45
8	Handle cover	Plastic	Plastic
9	Handle	SS304	SS304
10	Stem nut	SS304	B7
11	Stem washer	SS304	SS304
12	Gland nut	SS304	FCD45
13	Stem packing	PTFE	PTFE
14	Thrust washer	PTFE	PTFE
15	Joint gasket	PTFE	PTFE
16	Bolt	SS304	B8



More products please visit

www.aen-valve.com

ABOUT

AEN.TECH is an integrated machinery manufacturing group company. It has 18 years of development history since its first plant was put into operation. Currently, it has three factories in China and mainly produces various types of valves and machined products. Over the years, the products have been widely used in metallurgy, chemical industry, sewage treatment, heating and construction, gas, and other fields, and AEN committed to providing customers with a full range of industrial valve solutions.



World Headquarters, Anshan, China

The factory has advanced processing equipment and the products are produced in accordance with API, ANSI, JIS, ISO, BS, JB, and GB standards. The production technology is advanced and the testing methods are perfect.

Over the years, the company has served the world's industrial sectors with its advantages of good reputation, stable product quality, modern enterprise management, automated processing equipment and advanced technology.

The main products: valves, pipe fittings.

Worldwide Sales and Services Network



All statements, technical information, and recommendations in this brochure are only for general use. For your specific requirements and material selection, please consult with representatives or sales of AEN .TECH. The right to change or modify the product design or product itself without prior notice is reserved.

Welcome global partners!

DISTRIBUTOR

AEN.TECH CONTACT

High-tech Zone, Anshan, Liaoning, China

E-mail: liuchangsong9688@gmail.com, ceo@asaicn.com

TEL No: +86 04122616600

www.aen-valve.com