



AQ150
1"-12" (DN25-DN300)

V-Type Ball Valve

Compact Structure & Small Volume

V-type Ball Valve

AEN V-type ball valve is available from Class150 to Class300(from PN16 to PN40). According to the clients' requirements, there are two kinds of different uses, one as a kind of cut-off valve, used for cutting off or connecting the line of medium. The other as a kind of regulating valve, to adjust the flow parameters of medium in the pipeline.

Driving mode of V-type ball valve is of various ranges: manual, worm gear, pneumatic and electric.

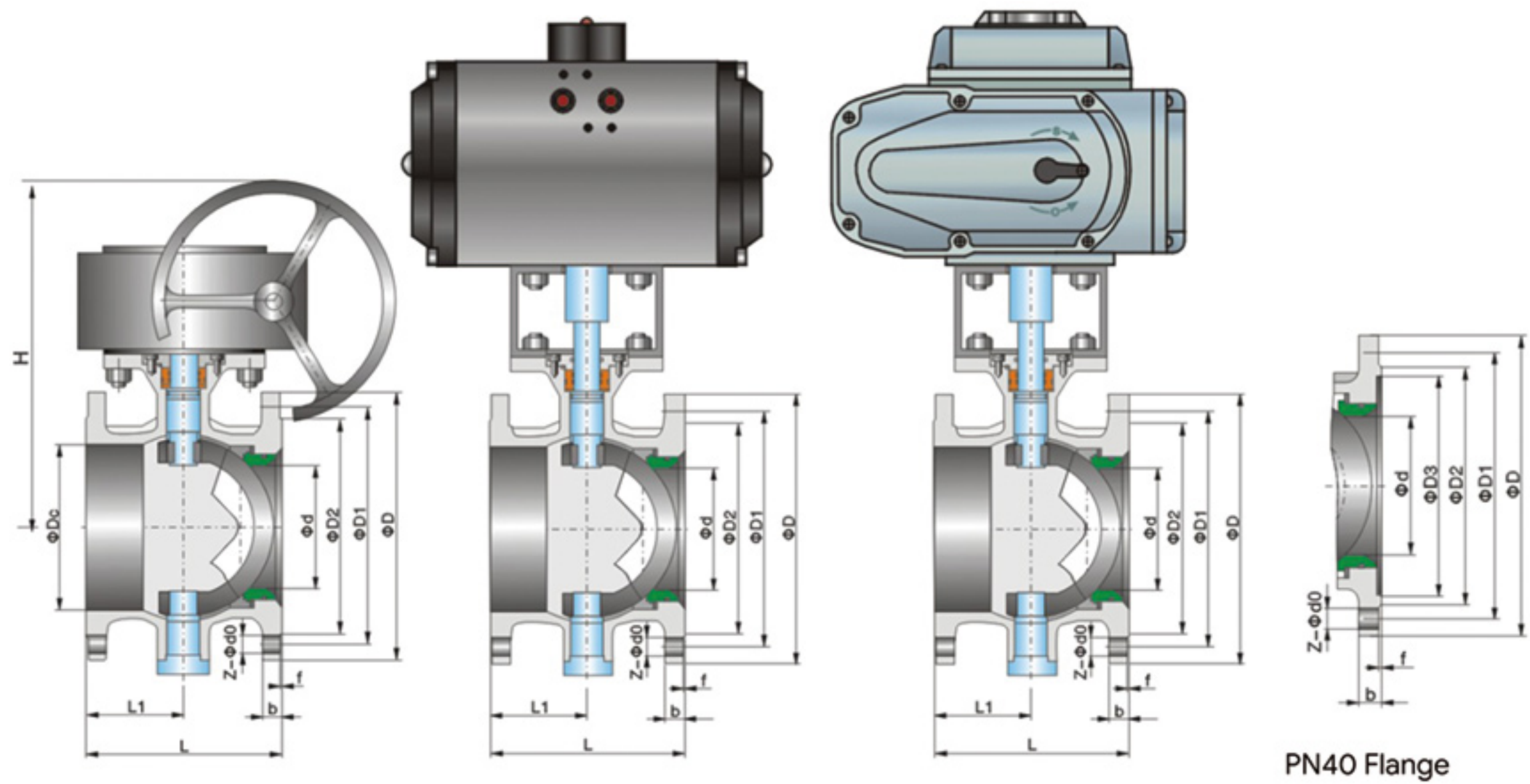
By the use of different materials, V-type ball valve can be applied in medium, including: water, steam, oil, nitric acid, acetic acid, oxidizing , urea and other medium.

Usually, The temperature of PTFE soft seal V-type ball valve is below 200°C, While the temperature of metal hard seal V-type ball valve will up to 425°C. Besides, the V-type ball valve is often connected by flange .

Because of quick opening and closing, this type valve can be frequently operated. What's more, it is characteristic with small fluid resistance, simple structure, relatively small volume, light weight, easily maintenance, good sealing performance, unlimited by the direction of installation , the flow of the medium can be arbitrary, no vibration and especially small noise.

Type, Material and Main Parameters

Classification	Piping Flange	Connection Type	Nominal Pressure	Pneumatic Metal Hard Seal V-Ball Valve						
				QV677Y-A1C	QV677Y-A1P	QV677Y-A1P8	QV677Y-A1P3	QV677Y-A1R	QV677Y-A1R8	QV677Y-A1R3
V-Type Ball Valve (Cutting-off Valve)	ASME B 16.5 GB/T9 112-9124 HG/T20615	Wafer Connection	Class150	QV677Y-A1C	QV677Y-A1P	QV677Y-A1P8	QV677Y-A1P3	QV677Y-A1R	QV677Y-A1R8	QV677Y-A1R3
			Class300	QV677Y-A3	QV677Y-A3P	QV677Y-A3P8	QV677Y-A3P3	QV677Y-A3R	QV677Y-A3R8	QV677Y-A3R3
		Flange Connection	Class150	QV647Y-A1C	QV647Y-A1P	QV647Y-A1P8	QV647Y-A1P3	QV647Y-A1R	QV677Y-A1R8	QV677Y-A1R3
			Class300	QV647Y-A3	QV647Y-A3P	QV647Y-A3P8	QV647Y-A3P3	QV647Y-A3R	QV677Y-A3R8	QV677Y-A3R3
	GB/T9112-9124 HG/T20592 JB/T74-90	Wafer Connection	PN16	QV677Y-16C	QV677Y-16P	QV677Y-16P8	QV677Y-16P3	QV647Y-16R	QV677Y-16R8	QV677Y-16R3
			PN25	QV677Y-25	QV677Y-25P	QV677Y-25P8	QV677Y-25P3	QV647Y-25R	QV677Y-25R8	QV677Y-25R3
			PN40	QV677Y-40	QV677Y-40P	QV677Y-40P8	QV677Y-40P3	QV647Y-40R	QV677Y-40R8	QV677Y-40R3
		Flange Connection	PN16	QV647Y-16C	QV677Y-16P	QV647Y-16P8	QV647Y-16P3	QV647Y-16R	QV677Y-16R8	QV677Y-16R3
PN25			QV647Y-25	QV677Y-25P	QV647Y-25P8	QV647Y-25PE	QV647Y-25R	QV677Y-25R8	QV677Y-25R3	
PN40			QV647Y-40	QV677Y-40P	QV647Y-40P8	QV647Y-40P3	QV647Y-40R	QV677Y-40R8	QV677Y-40R3	
V-Type Ball Valve (Regulating Valve)	ASME B 16.5 GB/T9 112-9124 HG/T20615	Wafer Connection	Class150	TQV677Y-A1C	TQV677Y-A1P	TQV677Y-A1P8	TQV677Y-A1P3	TQV677Y-A1R	TQV677Y-A1R8	TQV677Y-A1R3
			Class300	TQV677Y-A3	TQV677Y-A3P	TQV677Y-A3P8	TQV677Y-A3P3	TQV677Y-A3R	TQV677Y-A3R8	TQV677Y-A3R3
		Flange Connection	Class150	TQV647Y-A1C	TQV647Y-A1P	TQV647Y-A1P8	TQV647Y-A1P3	TQV677Y-A1R	TQV677Y-A1R8	TQV677Y-A1R3
			Class300	TQV647Y-A3	TQV647Y-A3P	TQV647Y-A3P8	TQV647Y-A3P3	TQV677Y-A3R	TQV677Y-A3R8	TQV677Y-A3R3
	GB/T9112-9124 HG/T20592 JB/T74-90	Wafer Connection	PN16	TQV677Y-16C	TQV677Y-16P	TQV677Y-16P8	TQV677Y-16P3	TQV677Y-16R	TQV677Y-16R8	TQV677Y-16R3
			PN25	TQV677Y-25	TQV677Y-25P	TQV677Y-25P8	TQV677Y-25P3	TQV677Y-25R	TQV677Y-25R8	TQV677Y-25R3
			PN40	TQV677Y-40	TQV677Y-40P	TQV677Y-40P8	TQV677Y-40P3	TQV677Y-40R	TQV677Y-40R8	TQV677Y-40R3
		Flange Connection	PN16	TQV647Y-16C	TQV647Y-16P	TQV647Y-16P8	TQV647Y-16P3	TQV677Y-16R	TQV677Y-16R8	TQV677Y-16R3
PN25			TQV647Y-25	TQV647Y-25P	TQV647Y-25P8	TQV647Y-25P3	TQV677Y-25R	TQV677Y-25R8	TQV677Y-25R3	
PN40			TQV647Y-40	TQV647Y-40P	TQV647Y-40P8	TQV647Y-40P3	TQV677Y-40R	TQV677Y-40R8	TQV677Y-40R3	
Material of Main Parts	Valve body		WCB	ZG1Cr18Ni9Ti	CF8	CF3	ZG1Cr18Ni12 Mo2Ti	CF8M	CF3M	
	Ball , Stem		2Cr13	1Cr18Ni9Ti	0Cr18Ni9(304)	00Cr19Ni10(304L)	1Cr18Ni12 Mo2Ti	0Cr17Ni12 Mo2(316)	00Cr17Ni14 Mo2(316L)	
	Sealing Surface		Nickel-based alloys, tungsten-cobalt alloys, special hardened materials							
Applicable Conditions	Applicable Medium		Water, steam, oil, coal gas, natural gas, etc.	Nitric acid corrosive medium	Strongly oxidizing medium	Corrosive acetic medium	Urea corrosive medium			
	Proper Temperature		≤200 ° C (conventional product), special order: ≤425 ° C (carbon steel) or 540 ° C (stainless steel, chromium molybdenum steel, chromium molybdenum vanadium steel)							
Worm Gear Ball Valve			Change the transmission mode code "6" to "3" in the above models, example: QV377Y-16C							
Electric Ball Valve			Change the transmission mode code "6" to "9" in the above models, example: QV977Y-16C							



PN40 Flange

Main Connection Dimensions

PN(MPa)	DN(mm)	Size(mm)													Weight (kg)			
		L	L1	d	D	D1	D2	D3	Dc	b	f	Z-φd0	H1	F	H			
															Worm Gear	Pneumatic	Worm Gear	Pneumatic
PN16	25	102	51	19	115	85	65	-	38	18	2	4-14	57	400	200	222	12	22
	40	114	57	32	150	110	85	-	49	18	3	4-18	63	400	205	228	15	25
	50	124	62	38	165	125	100	-	60	18	3	4-18	92	400	225	248	21	30
	65	145	72.5	51	185	145	120	-	75	18	3	8-18	100	400	235	255	24	33
	80	165	82.8	64	200	160	135	-	89	20	3	8-18	108	400	260	270	34	42
	100	194	97	76	220	180	155	-	113	20	3	8-18	117	400	270	278	47	55
	125	210	105	102	250	210	185	-	140	22	3	8-18	140	455	320	335	57	64
	150	229	114.5	127	285	240	210	-	164	22	3	8-22	177	455	340	358	79	86
	200	243	121.5	152	340	295	265	-	205	24	3	12-22	200	700	390	405	105	117
	250	297	148.5	203	405	355	320	-	259	26	3	12-26	252	700	420	449	144	169
300	338	169	254	460	410	375	-	300	28	3	12-26	270	700	510	550	186	231	
PN25	25	102	51	19	115	85	68	-	38	18	2	4-14	57	400	200	222	12	22
	40	114	57	32	150	110	88	-	49	18	3	4-18	63	400	205	228	15	25
	50	124	62	38	165	125	102	-	60	20	3	4-18	92	400	225	248	21	30
	65	145	72.5	51	185	145	122	-	75	22	3	8-18	100	400	235	255	24	33
	80	165	82.8	64	200	160	138	-	89	24	3	8-18	108	400	260	270	36	44
	100	194	97	76	235	190	162	-	113	24	3	8-22	117	400	270	278	50	58
	125	210	105	102	270	220	188	-	140	26	3	8-26	140	455	320	335	61	68
	150	229	114.5	127	300	250	218	-	164	28	3	8-26	177	455	340	358	85	92
	200	243	121.5	152	360	310	278	-	205	30	3	12-26	200	700	390	405	118	125
	250	297	148.5	203	425	370	335	-	259	32	3	12-30	252	700	420	449	154	179
300	338	169	254	485	430	395	-	300	34	4	16-30	270	700	510	550	200	247	
PN40	25	102	51	19	115	85	68	58	38	18	2	4-14	57	400	200	222	12	22
	40	114	57	32	150	110	88	76	49	18	3	4-18	63	400	205	228	15	25
	50	124	62	38	165	125	102	88	60	20	3	4-18	92	400	225	248	21	30
	65	145	72.5	51	185	145	122	110	75	22	3	8-18	100	400	235	255	26	35
	80	165	82.8	64	200	160	138	121	89	24	3	8-18	108	400	260	270	38	46
	100	194	97	76	235	190	162	150	113	24	3	8-22	117	400	270	278	54	62
	125	210	105	102	270	220	188	176	140	26	3	8-26	140	455	320	335	65	73
	150	229	114.5	127	300	250	218	204	164	28	3	8-26	177	455	340	358	89	96
	200	243	121.5	152	375	320	285	260	205	34	3	12-30	200	700	390	405	130	137
	250	297	148.5	203	450	385	345	313	259	38	3	12-33	252	700	420	449	170	184
300	338	169	254	515	450	410	364	300	42	4	16-33	270	700	510	550	220	267	

ABOUT

AEN.TECH is an integrated machinery manufacturing group company. It has 18 years of development history since its first plant was put into operation. Currently, it has three factories in China and mainly produces various types of valves and machined products. Over the years, the products have been widely used in metallurgy, chemical industry, sewage treatment, heating and construction, gas, and other fields, and AEN committed to providing customers with a full range of industrial valve solutions.



World Headquarters, Anshan, China

The factory has advanced processing equipment and the products are produced in accordance with API, ANSI, JIS, ISO, BS, JB, and GB standards. The production technology is advanced and the testing methods are perfect.

Over the years, the company has served the world's industrial sectors with its advantages of good reputation, stable product quality, modern enterprise management, automated processing equipment and advanced technology.

The main products: valves, pipe fittings.

Worldwide Sales and Services Network



All statements, technical information, and recommendations in this brochure are only for general use. For your specific requirements and material selection, please consult with representatives or sales of AEN .TECH. The right to change or modify the product design or product itself without prior notice is reserved.

Welcome global partners!

DISTRIBUTOR

AEN.TECH CONTACT

High-tech Zone, Anshan, Liaoning, China

E-mail: liuchangsong9688@gmail.com、ceo@asaicn.com

TEL No: +86 04122616600

www.aen-valve.com