



Sleeve Control Valve

Good Dynamic Stability & Low Noise

AR100

The multistage step-down type sleeve control valve adopts a fluid pressure balance type valve inner structure, and adopts a multistage step-down type valve inner valve combined structure designed according to different flow characteristics, thereby effectively controlling the flow rate of the valve internals, and what's more, It greatly reduces the erosion of valve trims caused by noise and cavitation generated by high-pressure differential fluids. It is an economical step-down control valve with advantages of good dynamic stability, low cavitation and low noise.

Pneumatic Sleeve Control Valve Features

1. The use of balanced spool structure, axial imbalance and small pressure allows large difference in pressure and good stability of valve. The sleeve valve has advantages of good interchangeability, easily dis-assembly and assembly .

2. All metal spool structure applicable to a variety of working conditions, to achieve IV level leakage standards, and soft sealing structure of the valve to VI class leakage standard.

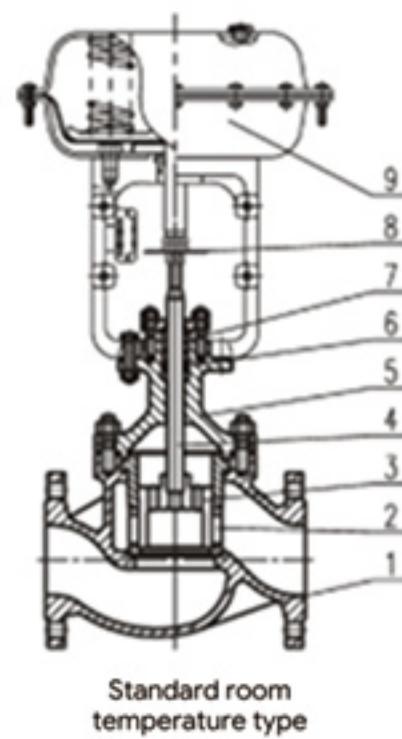
3. The valve body is designed as a low flow resistance flow channel with equal load surface according to the principle of fluid mechanics. The adjustable range is large, the inherent adjustable ratio is 50:1 , and the rated flow coefficient is increased by 30%.

4. The biggest characteristic of this kind sleeve control valve is easy to maintain, if need, the valve can be directly replaced, instead of removing the valve body out from the pipeline, which really contribute a lot in the valve maintenance.



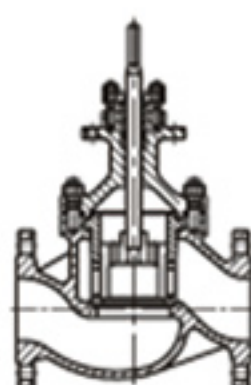
Main Technical Parameters of Sleeve Valve

Nominal diameter	20	25	32	40	50	65	80	100	125	150	200	250	300	350	400			
Seat path mm	20	25	32	40	50	65	80	100	125	150	200	250	300	350	400			
Rated kv	linear	6.9	11	17.6	27.5	44	69	110	176	275	440	630	1000	1600	2156	2816		
	Equal percentage	6.3	10	16	25	40	63	100	160	250	400	690	900	1440	1960	2560		
Nominal pressure (MPa)	1.6、2.5、4.0、6.4、10																	
Trip(mm)	16			25			40			60			100			130		
Effective area of film Ae(cm ²)	280			350			560			900			1400			Piston type		
Signal range KPa	20-100、40-200、80-240																	
Gas source pressure MPa	0.1-0.4														0.4-0.7			
Inherent flow characteristics	Linear, equal percentage, fast opening																	
Intrinsic adjustable ratio	50:1																	
Leakage level	Hard sealing IV and V; soft sealing VI																	
Flange size	Comply with JB/79. (2), _94, HG20592_97, GB, ANSI, JIB, DIN and other standards																	
Body material	WCB, 304, 316, WC6, titanium, nickel, Hastelloy, Monel and so on																	
Spool material	304, 316, 420, titanium, nickel, Hastelloy, Monel and so on																	
Working temperature °C	-40~+230°C(Normal atmospheric temperature), +230~+450°C(Medium temperature), +450~+560°C (high temperature), -40~-196°C(low temperature)																	
Series type	Normal temperature type, medium temperature type and low temperature type. Bellows sealing type, jacket type, insulated type, adjustable cut typeLinear, equal percentage, fast opening																	

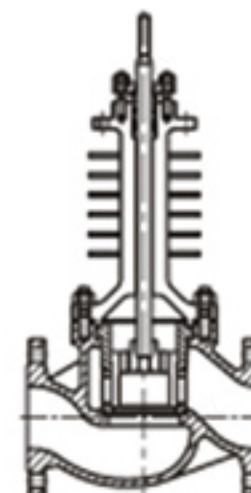


No.	Name
1	Valve body
2	Sleeve
3	Spool
4	The stem
5	Valve cover
6	Filler
7	Packing gland
8	Indicator
9	Actuating mechanism

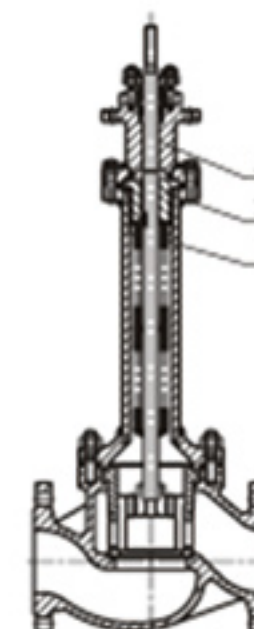
Standard room temperature type



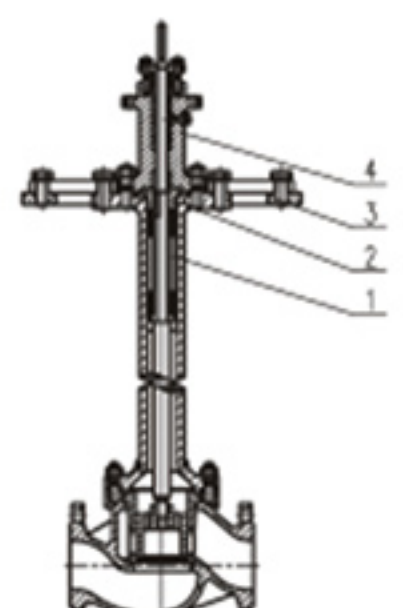
Standard room temperature type



High temperature heat sink type



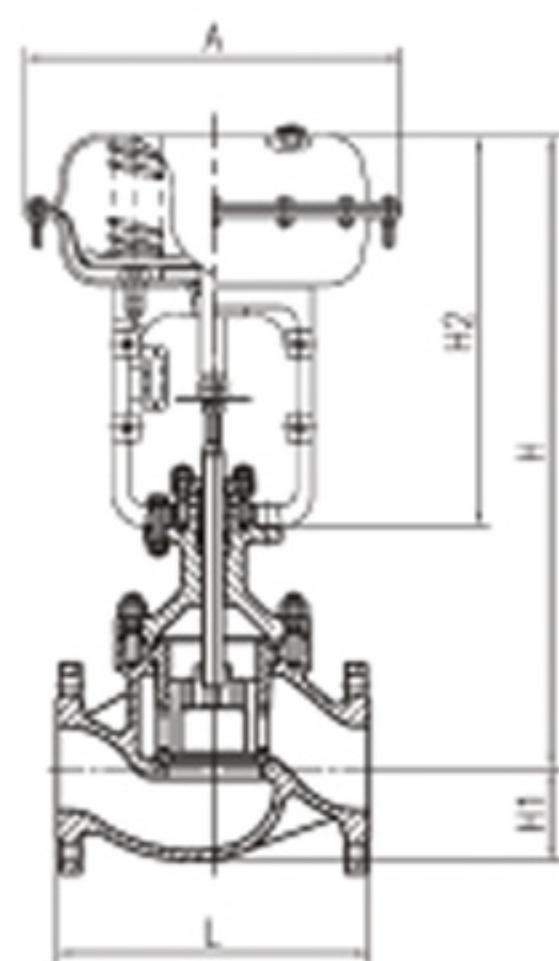
Bellows seal type



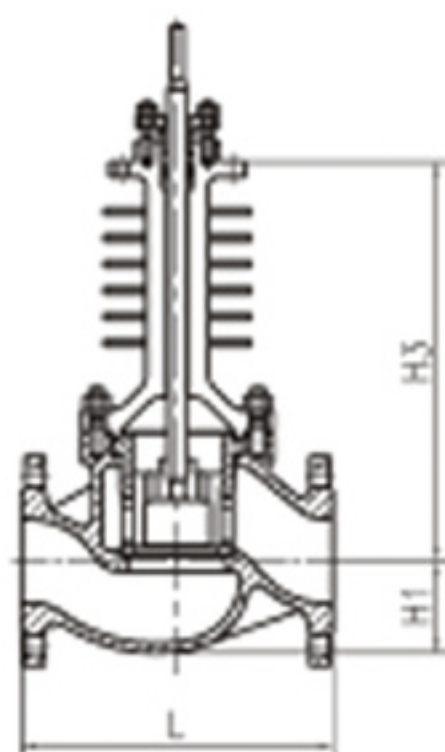
Low temperature type

Main Performance Indexes

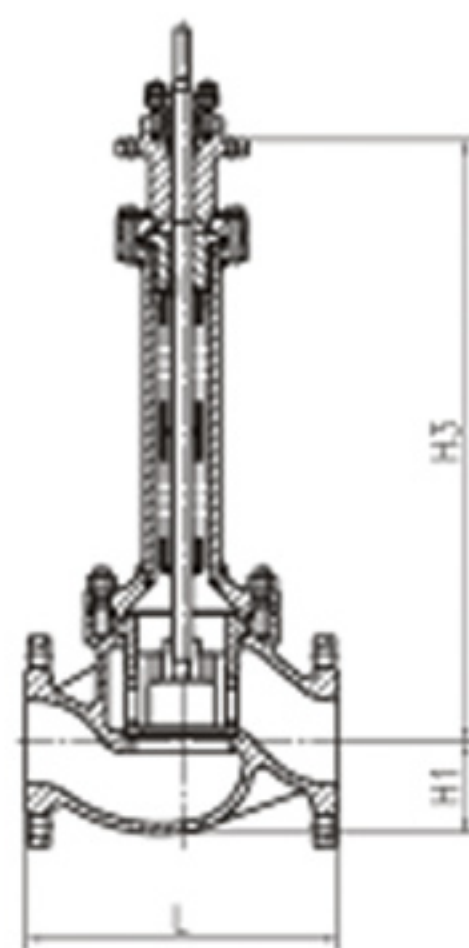
No.	Project	Standard type regulating valve		High temperature and low temperature regulating valve		
		Without locator	Belt positioner	Without locator	Belt positioner	
1	Basic error(%)	±5	±1	±15	±4	
2	Return difference<(%)	3	1	10	3	
3	The four district<(%)	3	0.4	8	1	
4	Always point deviation <(%)	Open air	Start	±2.5	±1	±6
			End	±5		±15
		Gas off	Start	±5	±1	±15
			End	±2.5		±6
5		±2.5	±2.5	±6	±6	



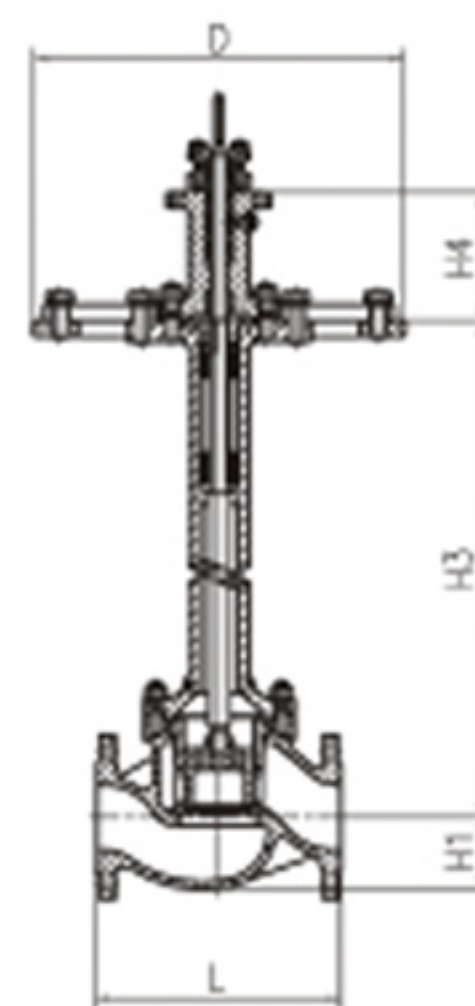
Standard room temperature type



High temperature heat sink type



Bellows seal type



Low temperature type

Performance Parameter

Nominal diameter(mm)	20				25	40		50	65	80	100	150		200	
Seat diameter(mm)	10	12	15	20	25	32	40	50	65	80	100	125	150	200	
Limited data	straight line	1.8	2.8	4.4	6.9	11	17.6	27.5	44	69	110	176	275	440	690
	Equal percentage	1.6	2.5	4	6.3	10	16	25	40	63	100	160	250	400	630
Nominal pressure MPa	0.6 1.6 4.0 6.4														
Stroke mm	10				16	25		40			60				
Flow characteristics	Straight line, equal percentage, quick opening type														
Medium temperature °C	-40~230°C (normal temperature type), heat sink type 230~450°C (medium temperature type), special order-100~600°C														
Flange standard	It conforms to JB78-59 and JB79-59 standards and can be produced according to JB/79.1-94, JB/79.2-94, ANSI, JIS, DIN and other standards.														
Body material	PN	HT200													
	(MPa)	WCB(ZG230-450)、ZG1Cr18Ni9Ti、ZG0Cr18Ni12Mo2Ti													
Spool material	1Cr18Ni9、0Cr18Ni12Mo2Ti														
Upper bonnet form	Normal type (normal temperature type), hot type (medium temperature type), low temperature type														
Adjustable ratio R	50:1														
Air source connector	M16×1.5														

Dimension

DN	L			H		H1				Quality(kg)		ΦA
	PN16	PN40	PN64	ordinary	high temperature	PN6	PN16	PN40	PN64	PN16	PN40 PN64	
25	184	197	210	410	560	50	57		70	20	24	285
40	222	235	251	455	620	65	75		85	26	35	
50	254	267	286	475	627	70	82		90	30	40	
65	276	292	311	610	790	80	92		100	47	66	360
80	298	317	337	622	807	95	100		107	55	78	
100	352	368	394	640	850	105	110	117	125	65	99	
150	451	473	508	870	1130	132	142	150	172	130	160	470
200	600	615	650	890	1150	160	170	187	207	175	250	
250	650	670	690	1203	1523	187	202	225	235	350	470	580
300	740	770	800	1234	1554	220	230	257	265	500	660	

ABOUT

AEN.TECH is an integrated machinery manufacturing group company. It has 18 years of development history since its first plant was put into operation. Currently, it has three factories in China and mainly produces various types of valves and machined products. Over the years, the products have been widely used in metallurgy, chemical industry, sewage treatment, heating and construction, gas, and other fields, and AEN committed to providing customers with a full range of industrial valve solutions.



World Headquarters, Anshan, China

The factory has advanced processing equipment and the products are produced in accordance with API, ANSI, JIS, ISO, BS, JB, and GB standards. The production technology is advanced and the testing methods are perfect.

Over the years, the company has served the world's industrial sectors with its advantages of good reputation, stable product quality, modern enterprise management, automated processing equipment and advanced technology.

The main products: valves, pipe fittings.

Worldwide Sales and Services Network



All statements, technical information, and recommendations in this brochure are only for general use. For your specific requirements and material selection, please consult with representatives or sales of AEN .TECH. The right to change or modify the product design or product itself without prior notice is reserved.

Welcome global partners!

DISTRIBUTOR

AEN.TECH CONTACT

High-tech Zone, Anshan, Liaoning, China

E-mail: liuchangsong9688@gmail.com, ceo@asaicn.com

TEL No: +86 04122616600

www.aen-valve.com