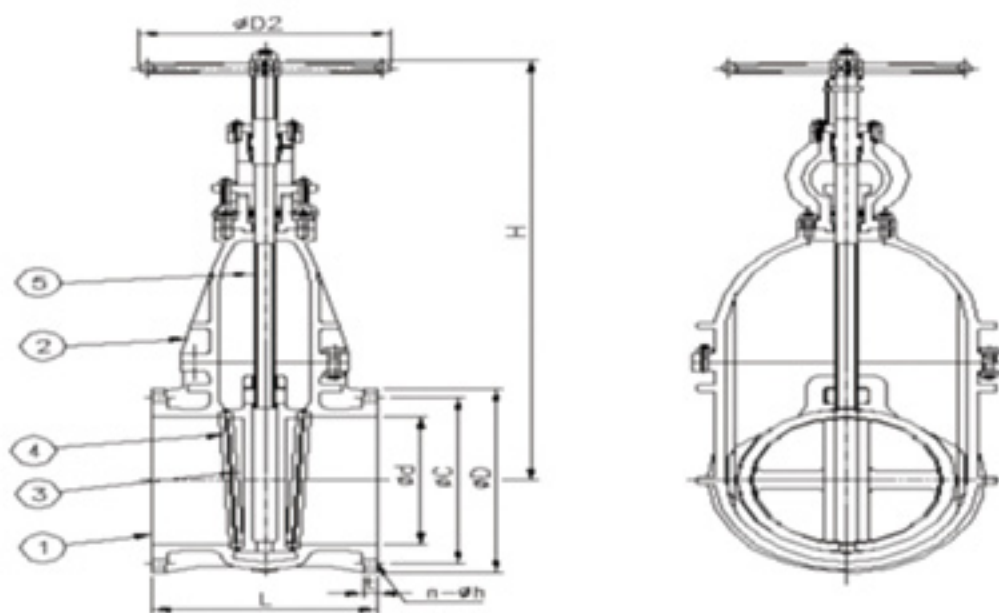




**AZJ5**  
Gate Valve: 1/4" - 4"

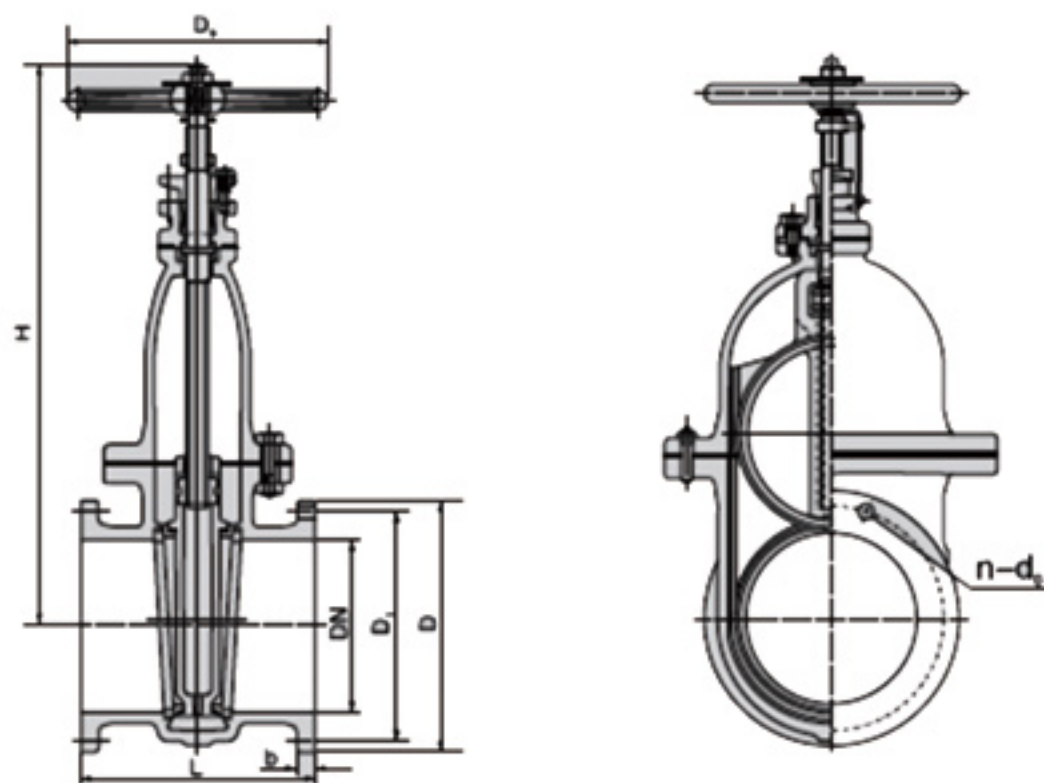
## JIS Marine Gate Valve

The JIS marine gate valve is used to cut off or turn on the flow direction of the medium in the pipeline. It has the advantages of small fluid resistance, the sealing surface by the medium of the brush and erosion is small, short structure length, easy to open and close, good manufacturing technology and wide range of applications.



### Specifications

<b>Port No:</b>	Material	
	Class S	Class B
<b>Body:</b>	Cast Iron / Cast Steel	
<b>Bonnet:</b>	Cast Iron / Cast Steel	
<b>Disc:</b>	Stainless Steel / Bronze	
<b>Seat:</b>	Stainless Steel / Bronze	
<b>Stem:</b>	Stainless Steel / Brass	



## Dimensions

Nominal Diameter	Structure Dimension			Thickness	Connection Dimension of Flange						Stem		Hand Wheel D	lift m	Weight (kg)
	D <sub>1</sub>	L	H <sub>≈</sub>		D	D <sub>1</sub>	b	n	d	Th	d	S			
50	50	200	300	8	155	120	16	4	19	M16	Tr18x8(P4)LH	12	140	58	17.9
65	65	220	350	9	175	140	18	4	19	M16	Tr20x8(P5)LH	14	160	74	27.10
80	80	230	400	9	185	150	18	8	19	M16	Tr22x10(P5)LH	14	180	89	32.10
100	100	250	450	11	210	175	18	8	19	M16	Tr24x10(P5)LH	17	200	110	45.40
125	125	270	520	12	250	210	20	8	23	M20	Tr26x10(P5)LH	19	225	136	67.00
150	150	290	580	13	280	240	22	8	23	M20	Tr28x10(P5)LH	22	250	160	84.00
200	200	310	700	15	330	290	22	12	23	M20	Tr32x12(P6)LH	22	315	212	130
250	250	340	840	17	400	355	24	12	25	M22	Tr38x14(P7)LH	30	400	264	201
300	300	380	960	19	445	400	24	16	25	M22	Tr42x14(P7)LH	30	450	315	201
350	336	420	1050	20	490	445	26	16	25	M22	Tr44x14(P7)LH	32	500	352	300
400	380	480	1150	22	560	510	28	16	27	M24	Tr48x16(P8)LH	36	560	396	507

## AEN.TECH CONTACT

No. 309, Anqian Road, High-tech Zone, Anshan, Liaoning, China

E-mail: liuchangsong9688@gmail.com、ceo@asaicn.com

TEL No: +86 04122616600

www.aen-valve.com

All statements, technical information, and recommendations in this brochure are only for general use. For your specific requirements and material selection, please consult with representatives or sales of AEN.TECH. The right to change or modify the product design or product itself without prior notice is reserved.

Welcome global partners!

2020 AEN.TECH International. All rights reserved.